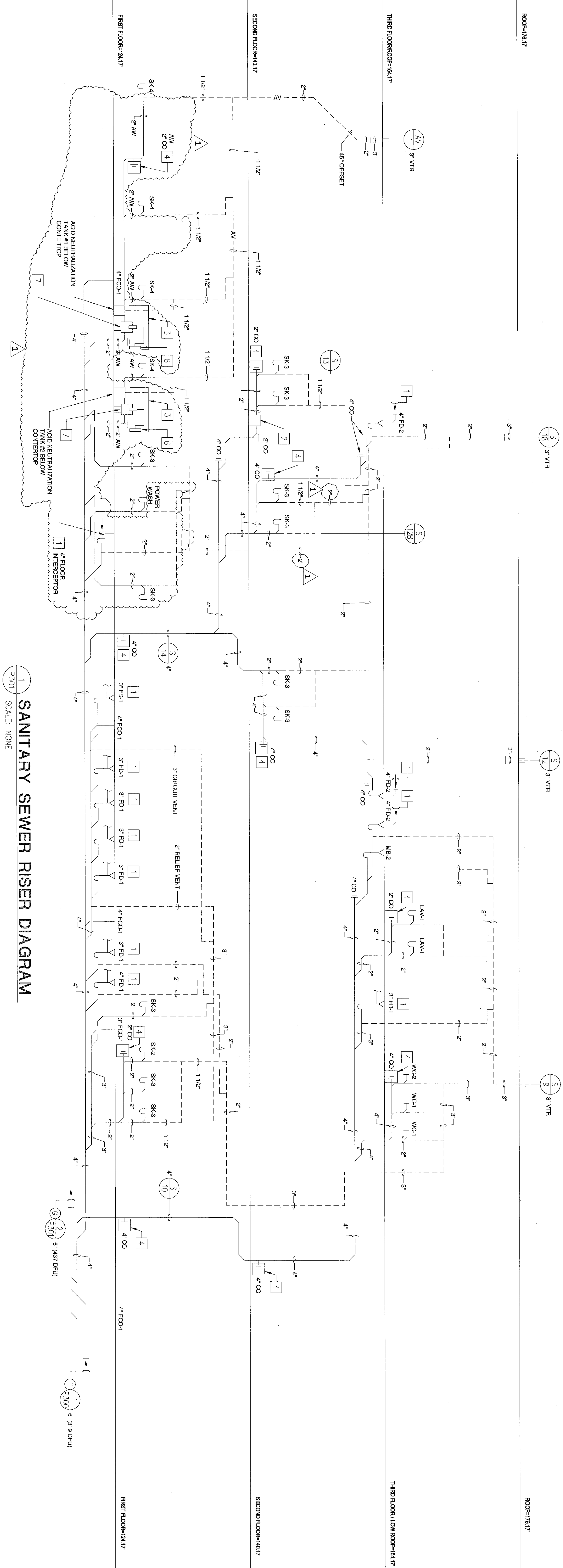
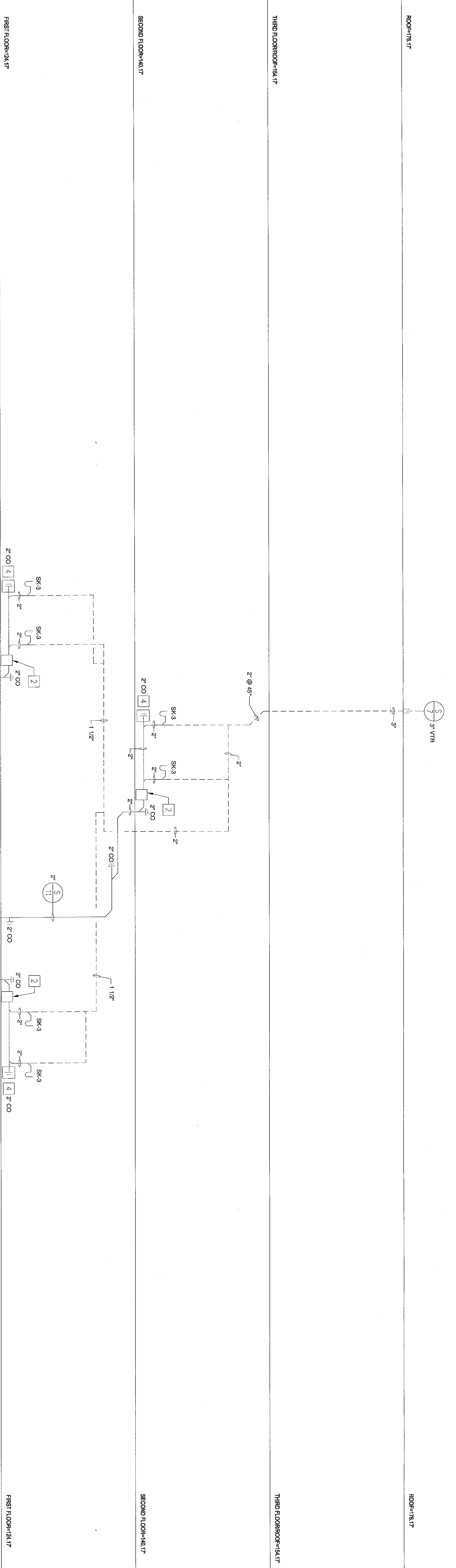


**KEYED NOTES**

- 1 FLOOR DRAIN OR FLOOR INTERCEPTOR WITH TRAP-FILTER.
- 2 SOLIDS INTERCEPTOR.
- 3 ACID WASTE MONITORING SYSTEM WITH INTEGRAL SAMPLING TANK AND MONITORING PANEL. ALL SAMPLINGS SHALL BE BELOW COUNTER.
- 4 WALL MOUNTED ACCESS PANEL.
- 5 SEE CIVIL ENGINEERS DRAWING FOR CONTINUATION OF SANITARY SEWER.
- 6 ACID WASTE MONITOR PANEL BELOW COUNTERTOP.
- 7 SAMPLING TANK ON STAND BELOW COUNTERTOP.



1 SANITARY SEWER RISER DIAGRAM  
 SCALE: NONE



2 SANITARY SEWER RISER DIAGRAM  
 SCALE: NONE

**KEY PLAN:**

ADDENDUM #3	4.1.2008
NO. REVISION/SUBMISSION	DATE

**THE COLLEGE OF NEW JERSEY**  
**New Art & IMM Building**  
 Ewing, New Jersey

DATE: 2.20.2008  
 SCALE: NONE  
 EYP PROJECT NO. 1006041.01  
 DESIGNED BY: JG  
 DRAWN BY: CC  
 CHECKED BY: RI

**SANITARY RISER DIAGRAM**