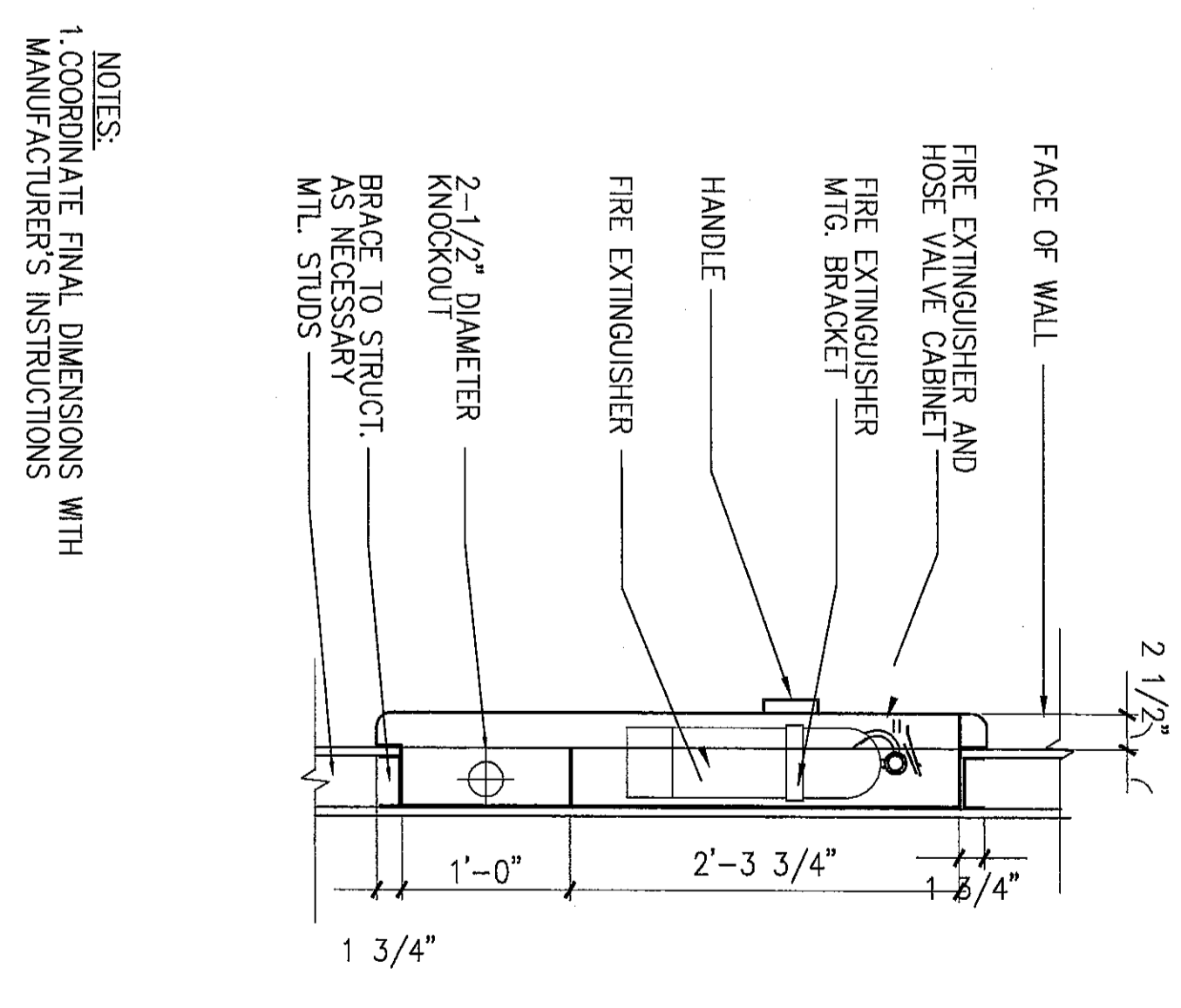


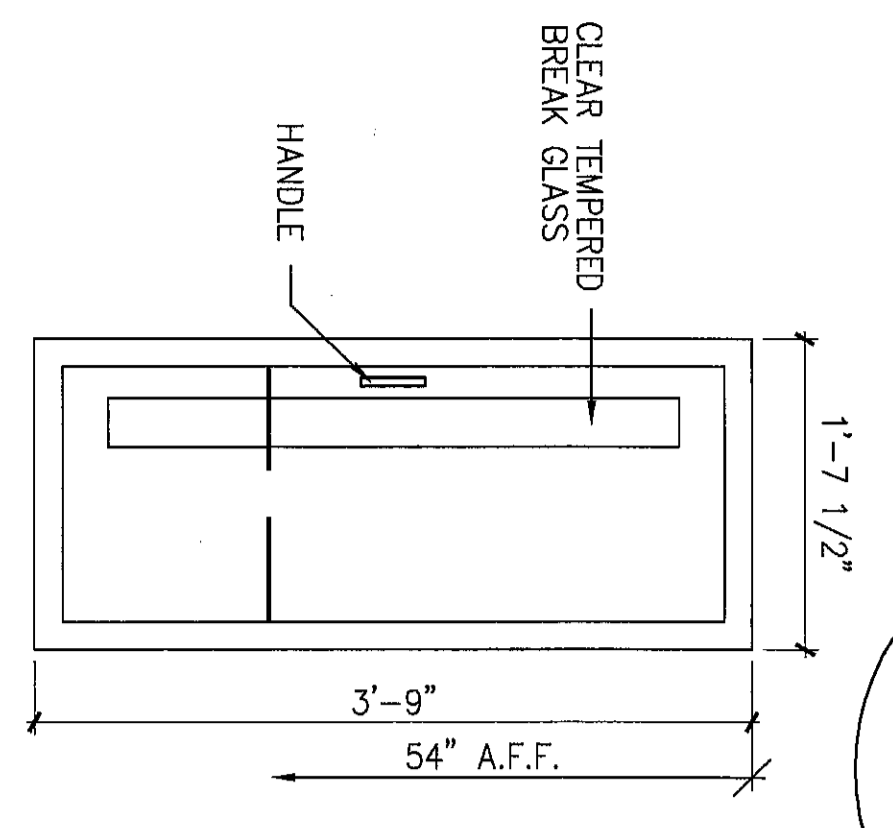
10 LIGHT TABLE SECTION  
 AUB9/109 SCALE 3\"/>

9 LIGHT TABLE PLAN  
 AUB9/109 SCALE 1\"/>

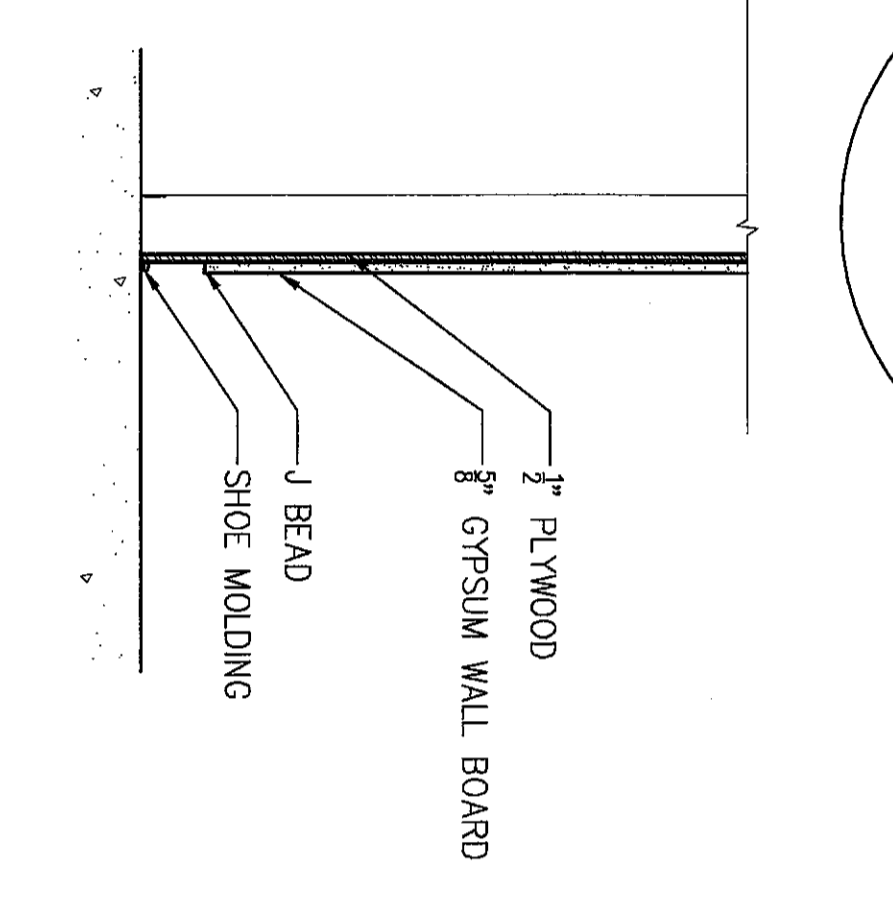


NOTES:  
 1. COORDINATE FINAL DIMENSIONS WITH MANUFACTURER'S INSTRUCTIONS

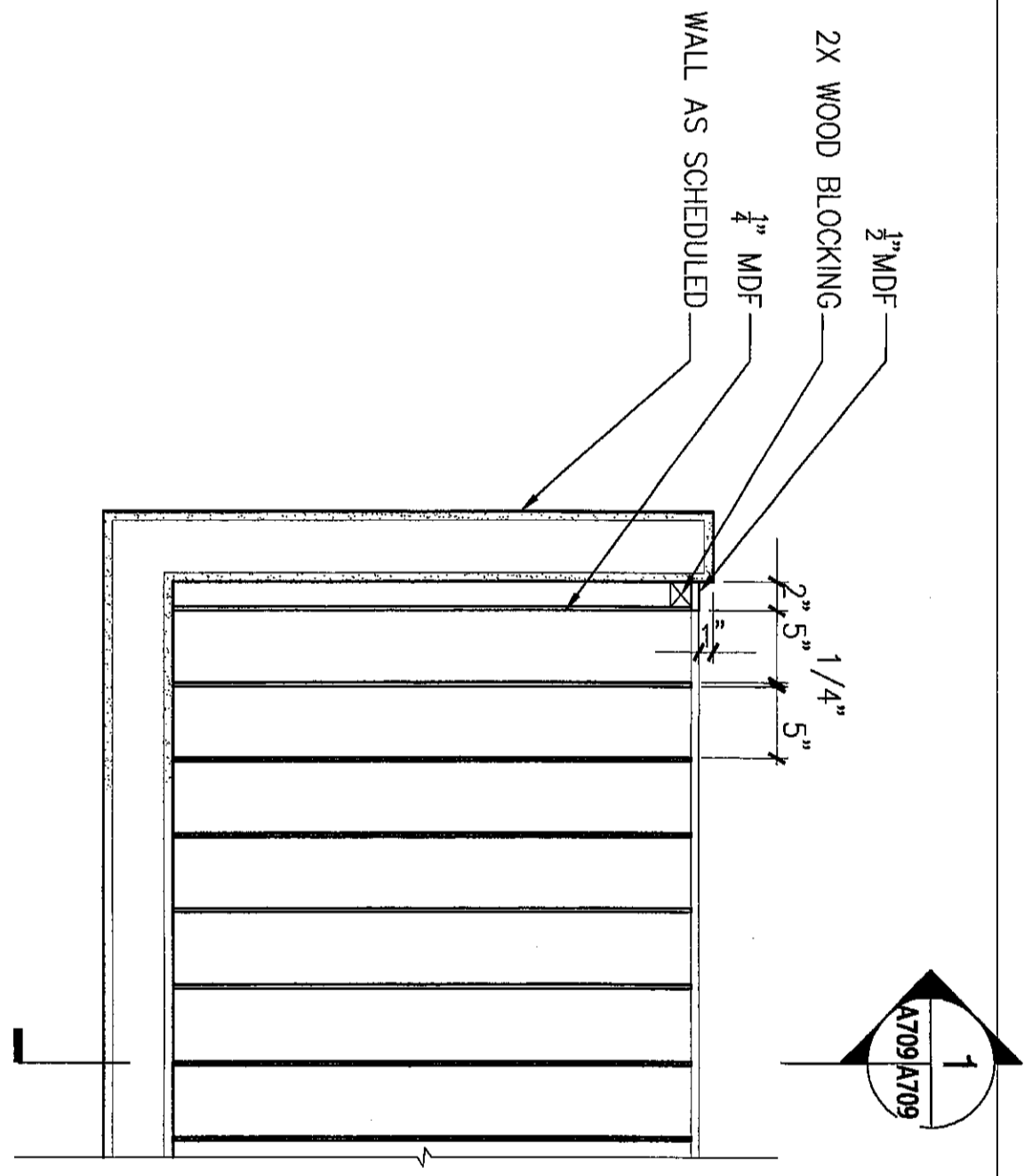
8 FIRE EXTINGUISHER SECTION  
 AUB9/109 SCALE 1\"/>



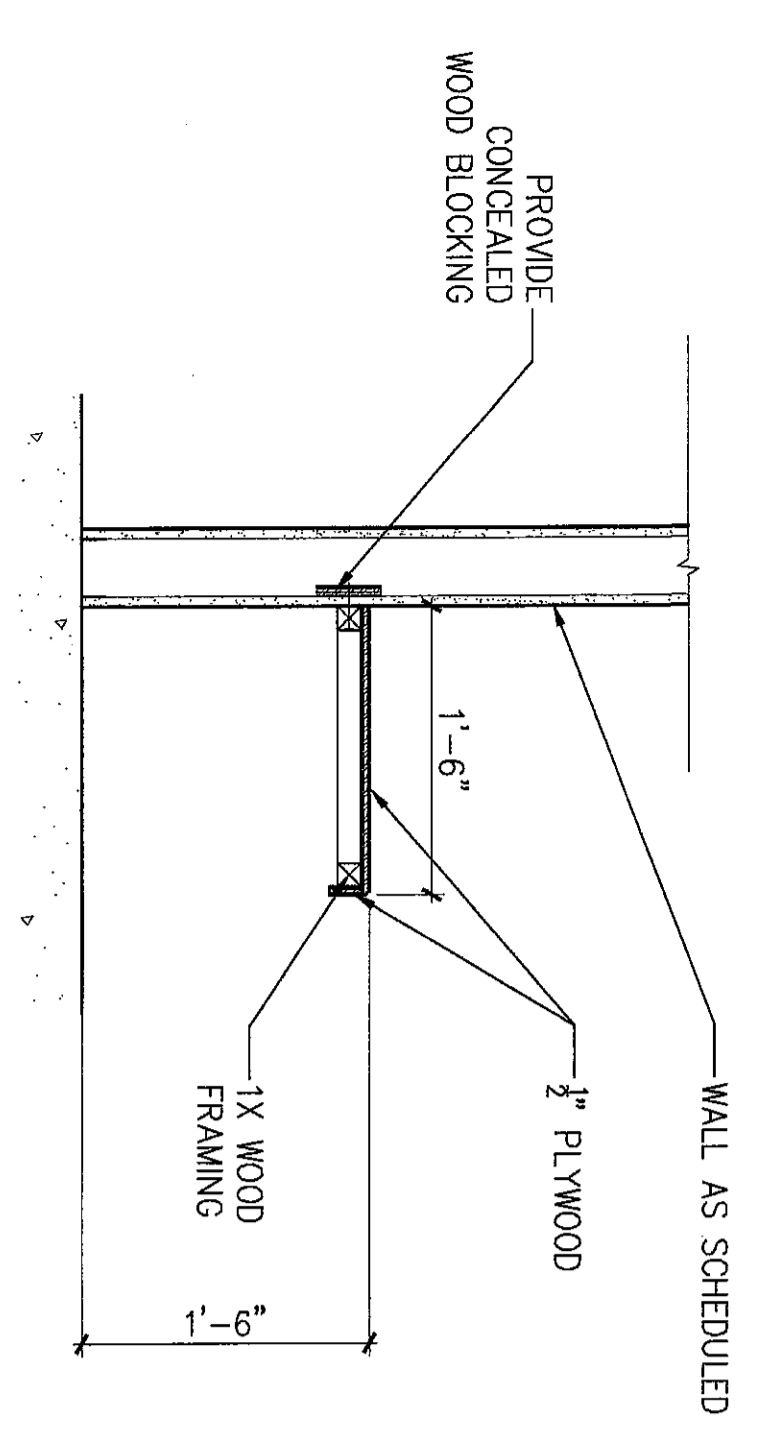
7 FIRE EXTINGUISHER CABINET ELEVATION  
 AUB9/109 SCALE 1\"/>



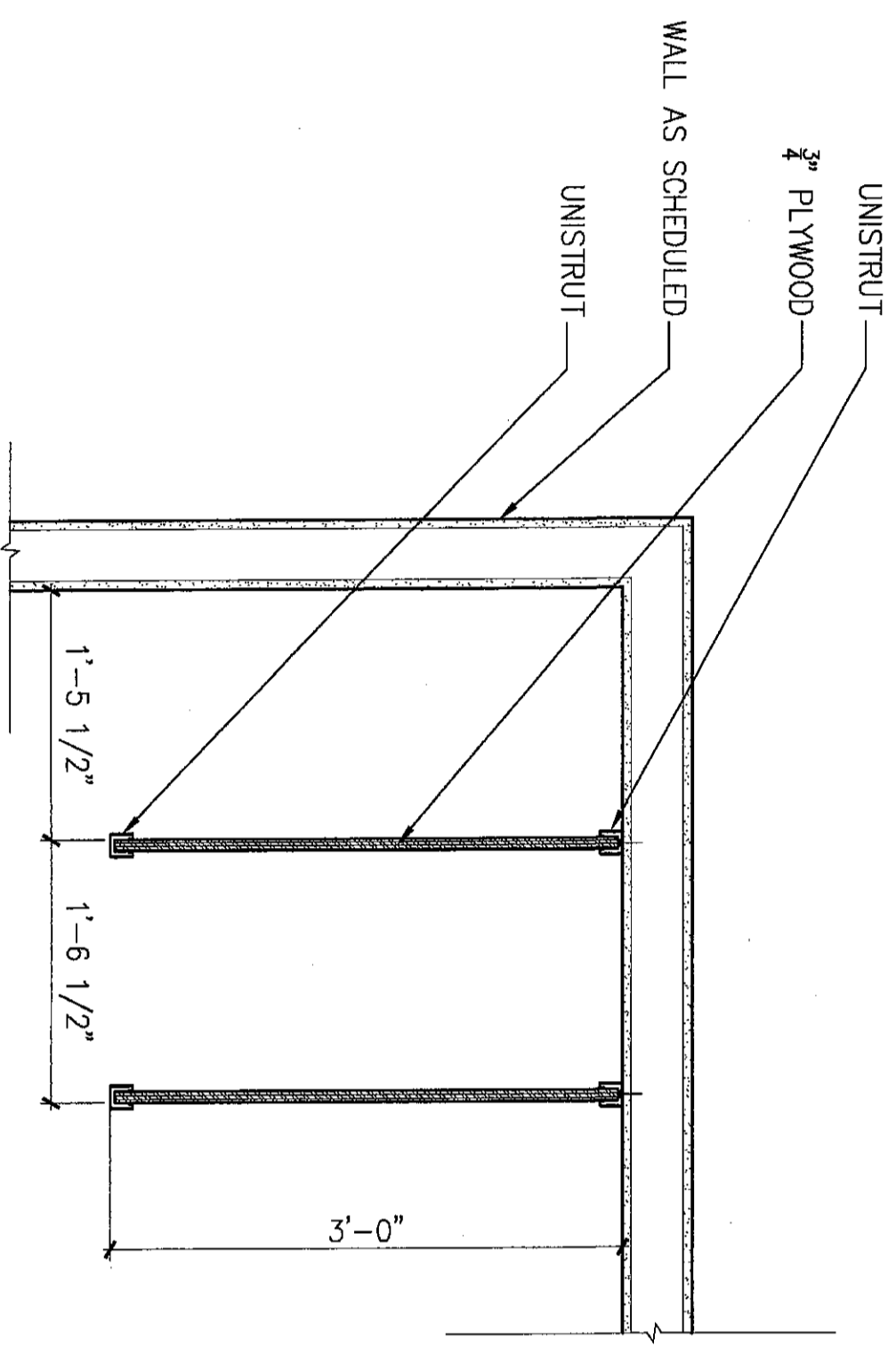
6 EXHIBIT WALL BASE  
 AUB9/109 SCALE 1\"/>



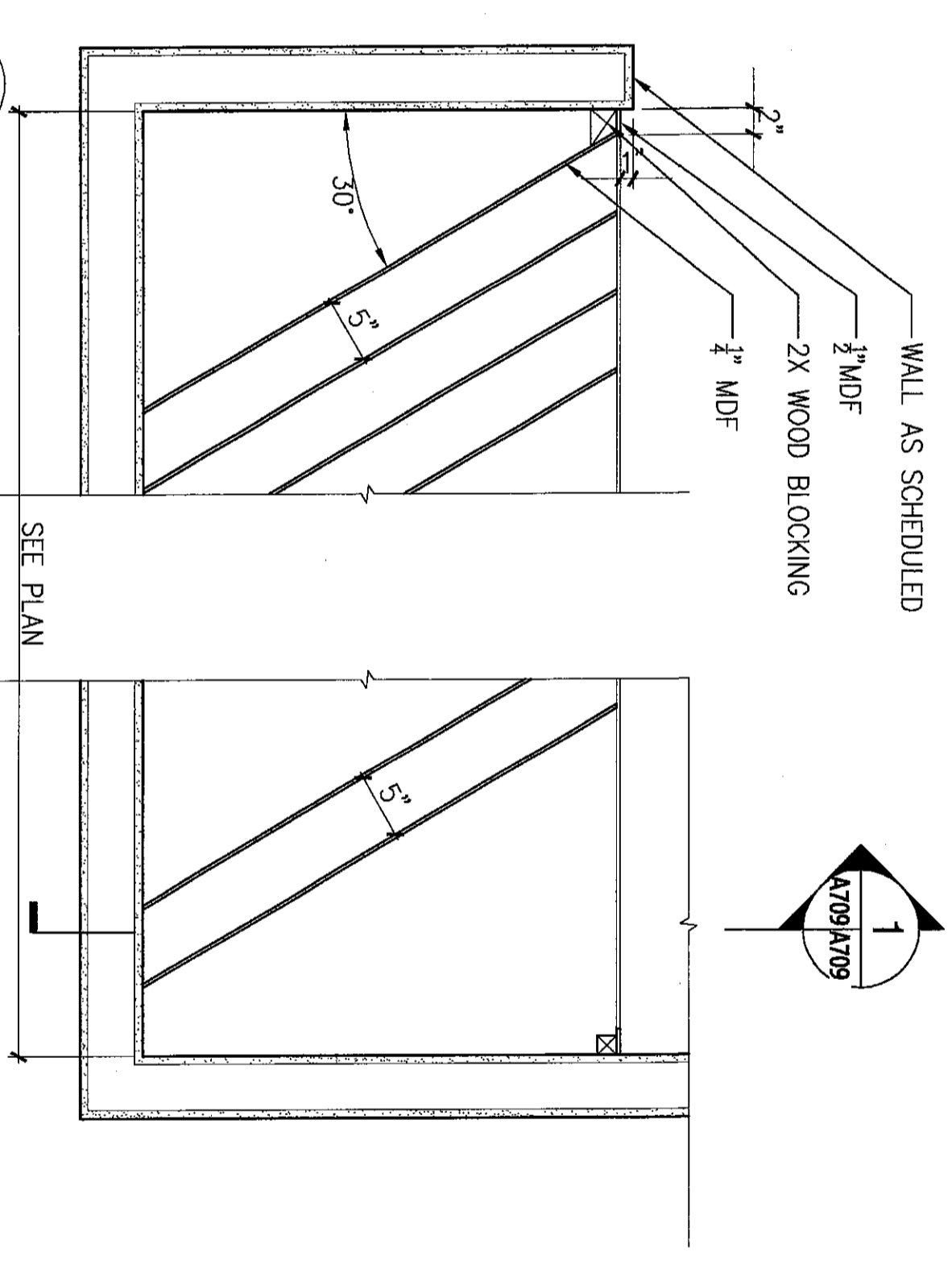
5 DRAWING STORAGE PLAN DETAIL  
 AUB9/109 SCALE 1\"/>



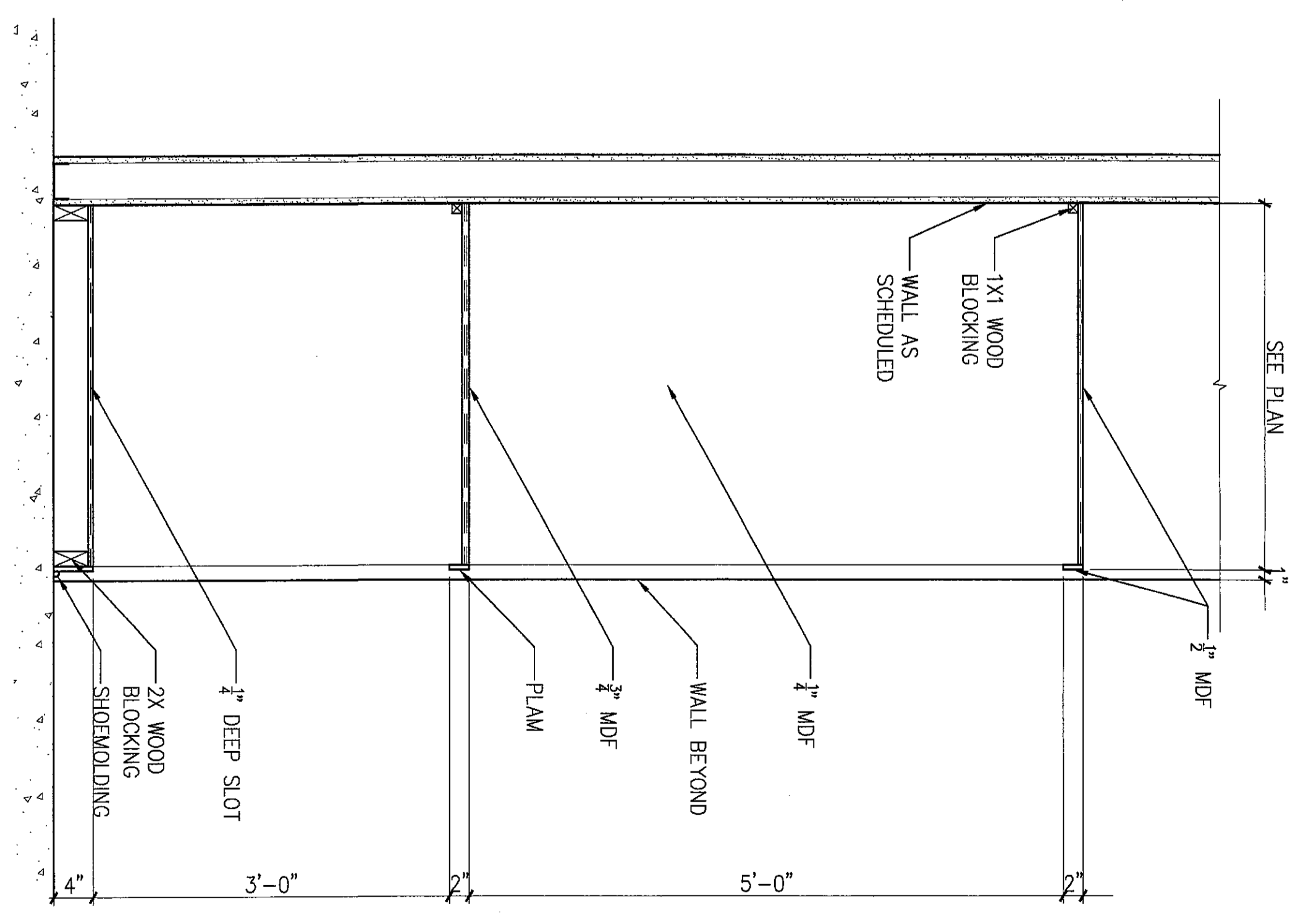
4 CHANGING BENCH  
 AUB9/109 SCALE 1\"/>



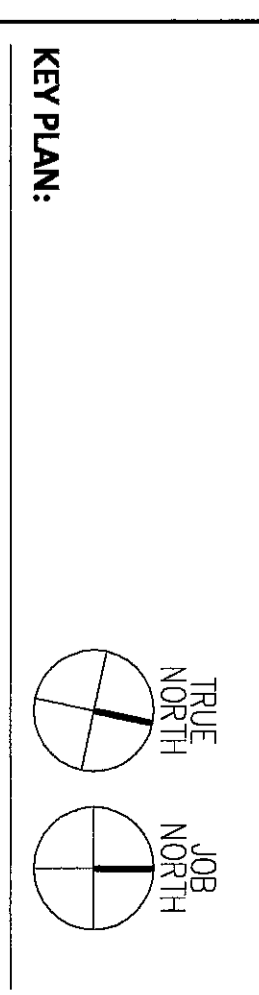
3 PLYWOOD STORAGE PLAN DETAIL  
 AUB9/109 SCALE 1\"/>



2 PAINTING STORAGE PLAN DETAIL  
 AUB9/109 SCALE 1\"/>



1 PAINTING AND DRAWING STORAGE SECTION DETAIL  
 AUB9/109 SCALE 1\"/>



ADDITIONAL #3

NO.	REVISION/SUBMISSION	DATE
43		4.3.2008

**THE COLLEGE OF NEW JERSEY**  
**New Art & IMM Building**  
 Ewing, New Jersey

DATE: 2.20.2008  
 SCALE: AS NOTED  
 EYP PROJECT NO.: 100804101  
 DESIGNED BY: KC  
 DRAWN BY: EC  
 CHECKED BY: BL

Matthew S. Chalfoux  
 LICENSE NO. 10080