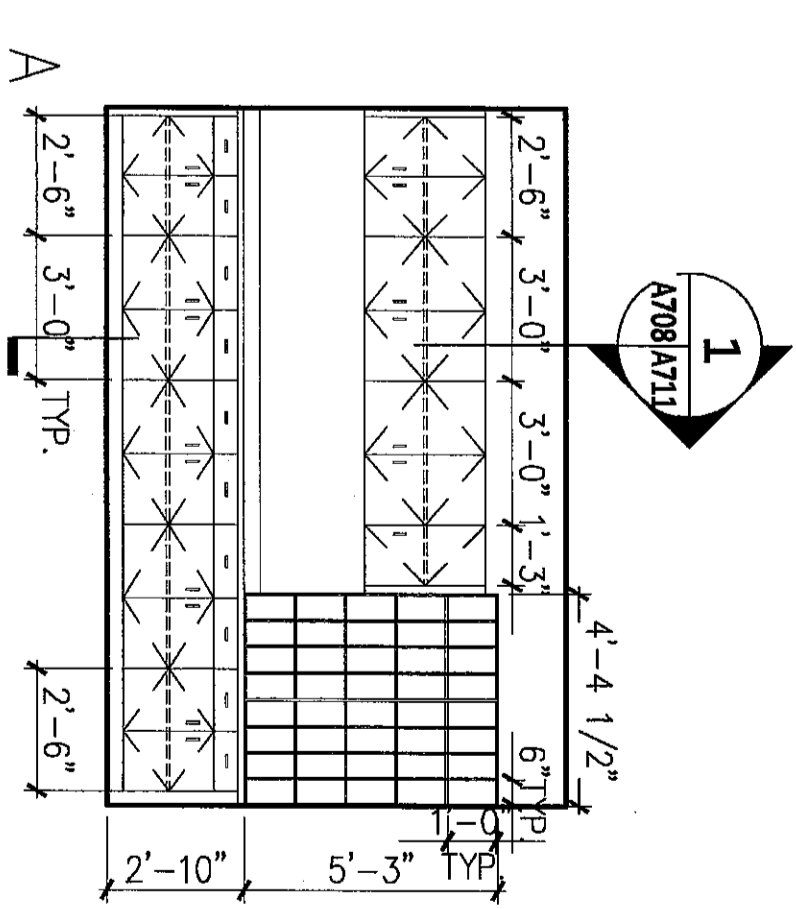
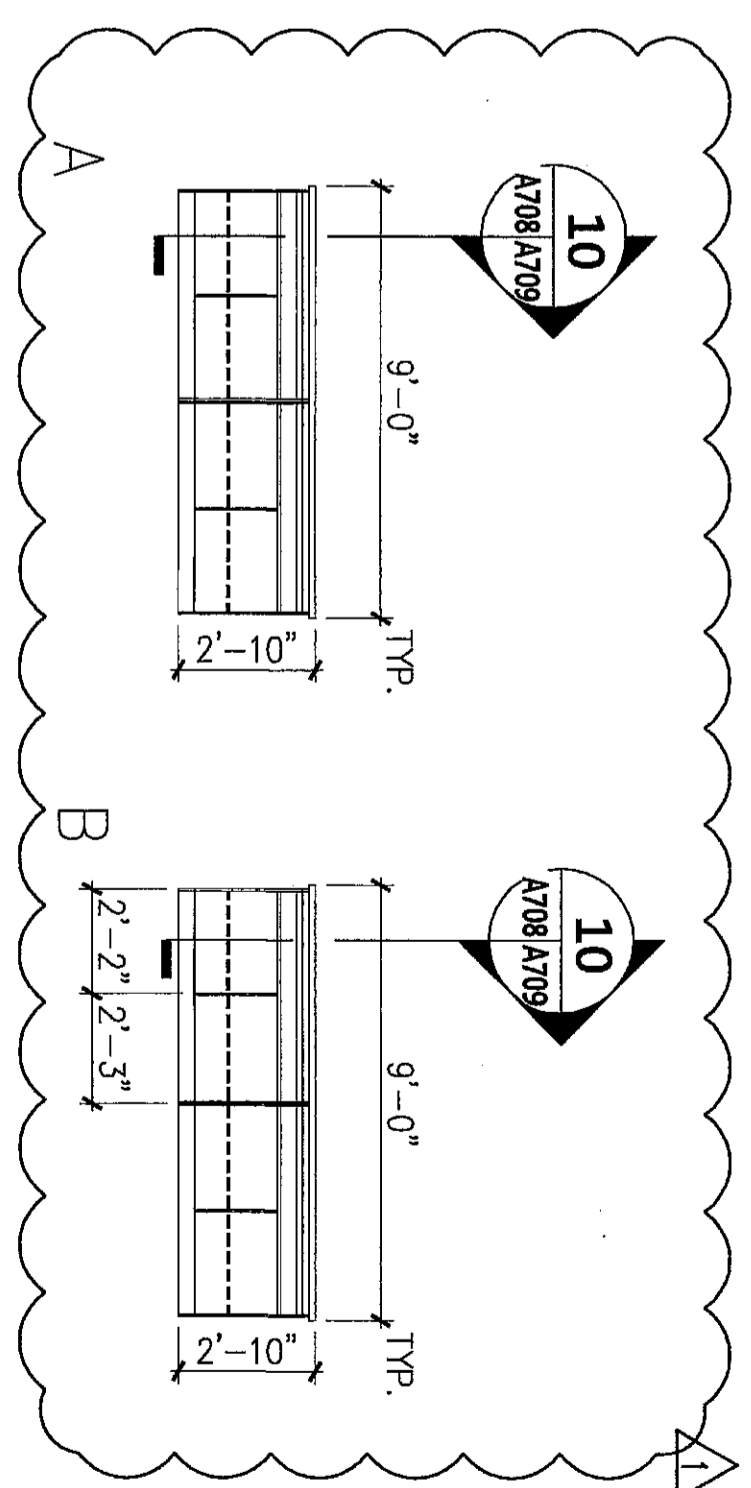


GENERAL NOTES

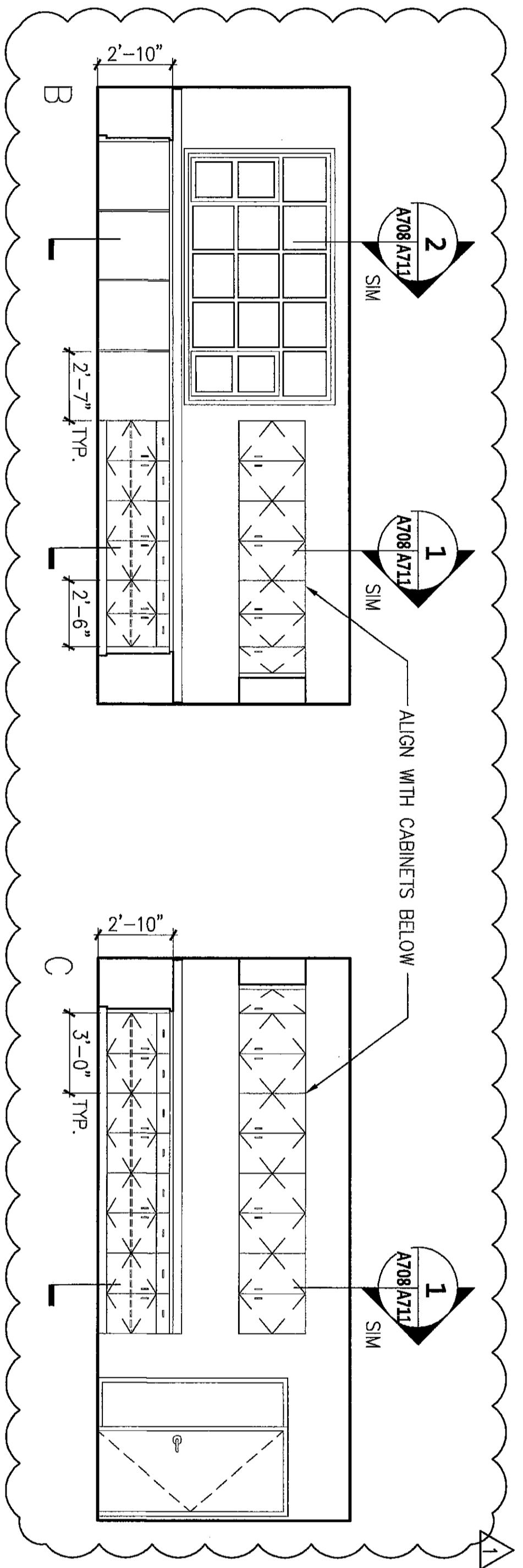
1. ALL CHALKBOARDS, WHITEBOARDS AND TASKBOARD TO BE MOUNTED 30" AFF
2. WALL MOUNTED PROJECTOR SCREEN TO BE MOUNTED 11 1/8" AFF



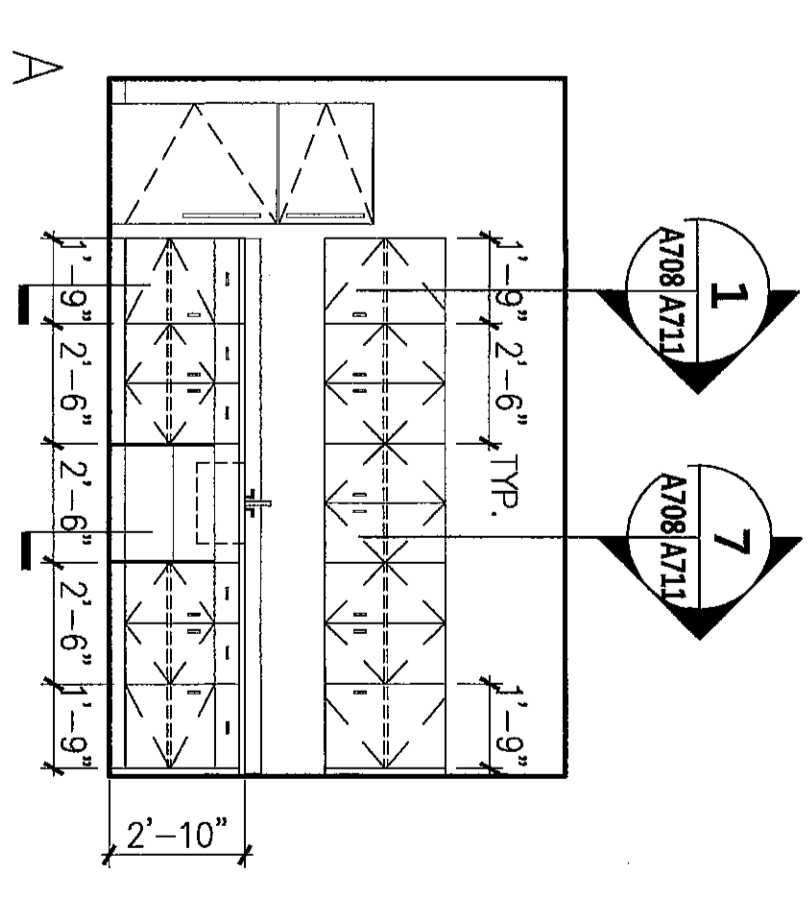
7 COPY 325
A09/A708 SCALE 1/4" = 1'-0"



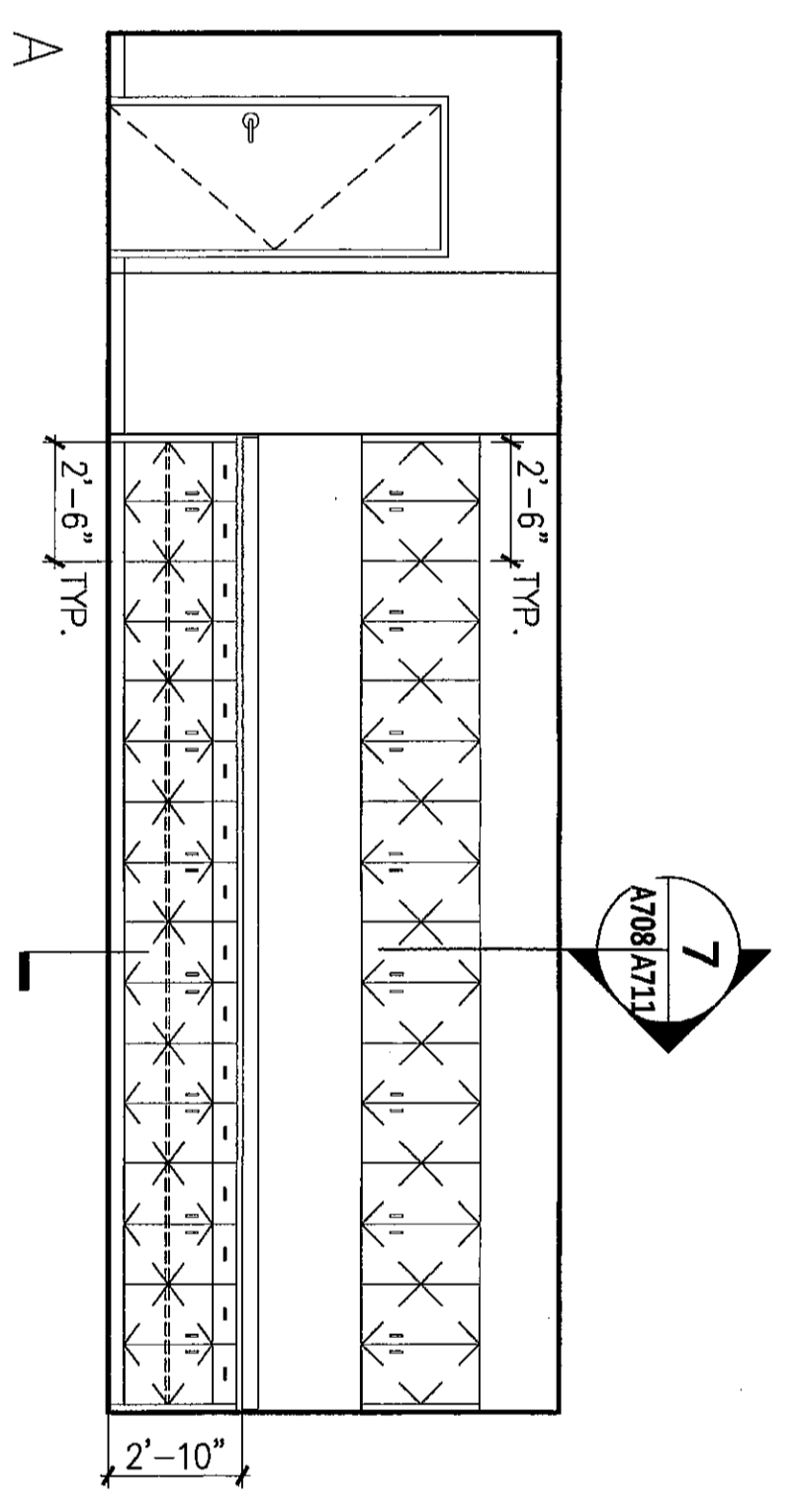
5 SLIDE LIBRARY 324 - ISLAND
A09/A708 SCALE 1/4" = 1'-0"



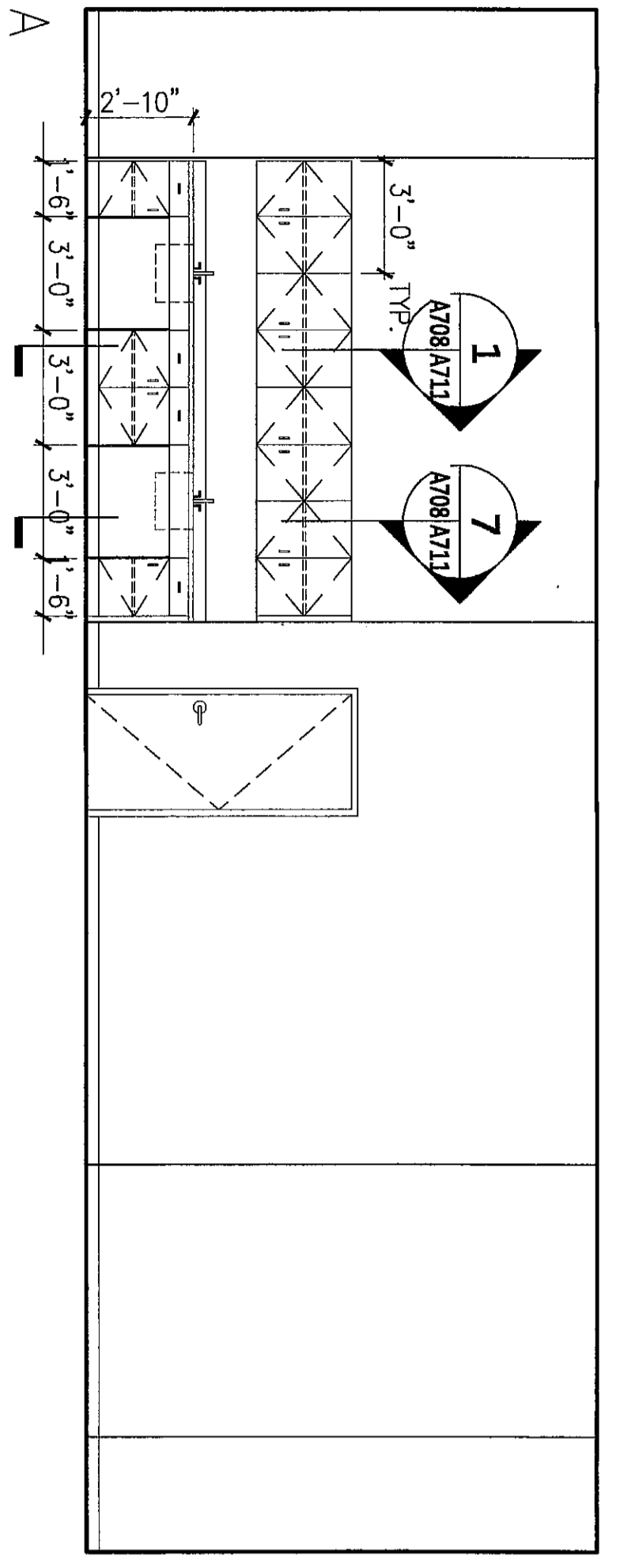
6 SLIDE LIBRARY 324
A09/A708 SCALE 1/4" = 1'-0"



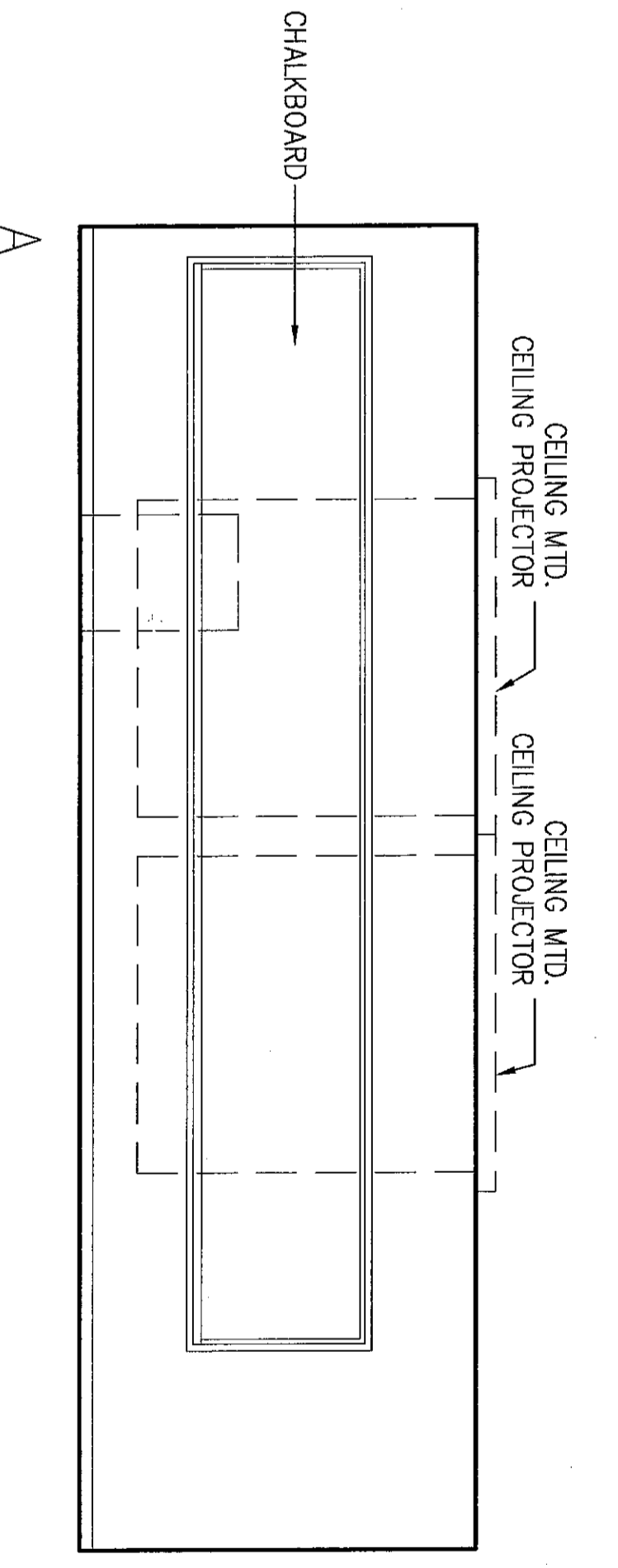
3 LOUNGE 319
A09/A708 SCALE 1/4" = 1'-0"



4 RECEPTION WAITING ROOM 320
A09/A708 SCALE 1/4" = 1'-0"



2 PAINTING STUDIO 230
A09/A708 SCALE 1/4" = 1'-0"



1 ART HISTORY CLASSROOM 224
A09/A708 SCALE 1/4" = 1'-0"



NO. REVISION/SUBMISSION DATE
4.1.2008

THE COLLEGE OF NEW JERSEY
New Art & IMM Building
Ewing, New Jersey

DATE: 2.20.2008
SCALE: AS NOTED
EYP PROJECT NO.: 100604.01
DESIGNED BY: RG
DRAWN BY: EC
CHECKED BY: BL
Matthew S. Chalfoux
REGISTERED ARCHITECT