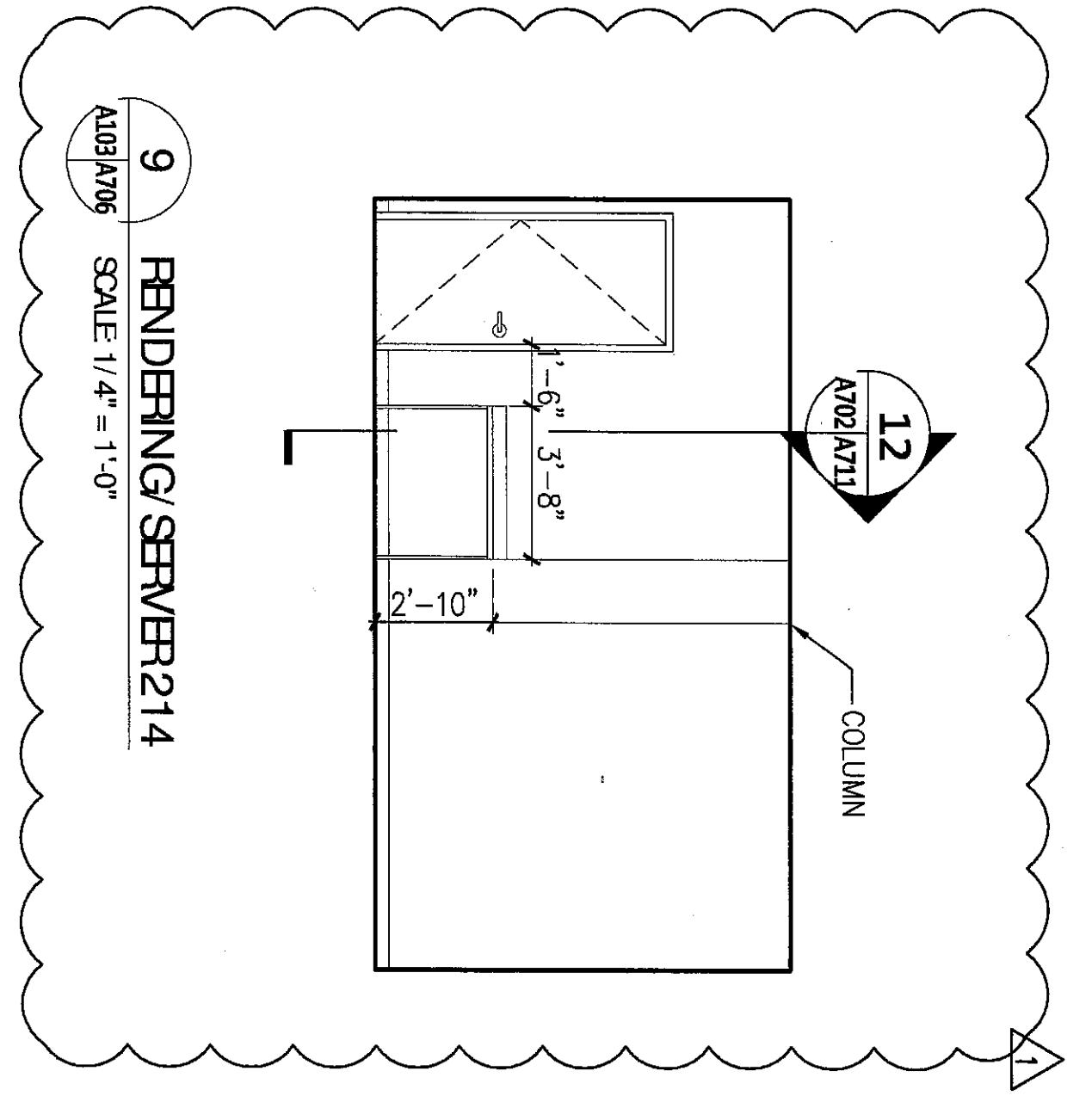
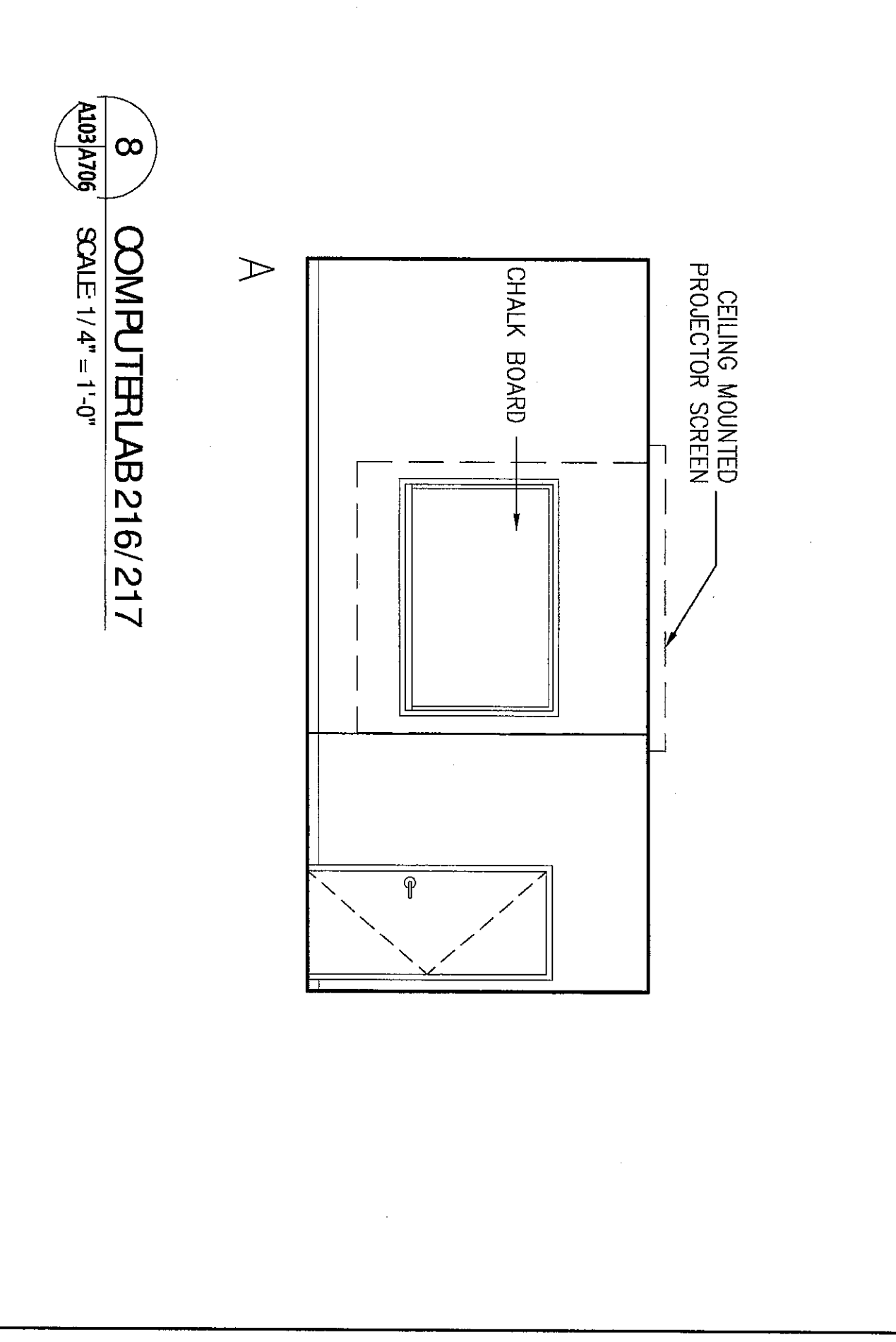


GENERAL NOTES

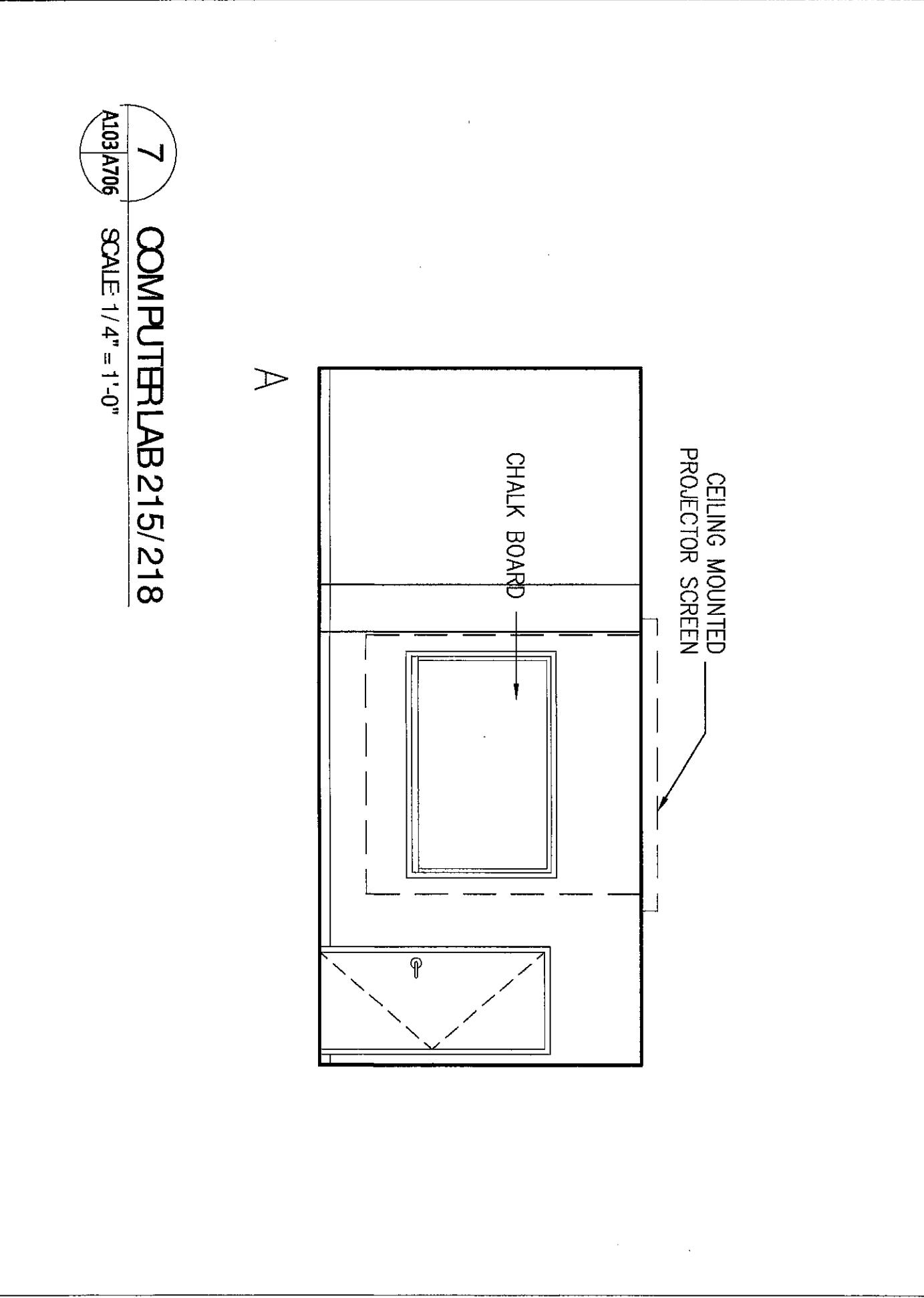
1. ALL CHALKBOARDS, WHITEBOARDS AND TASKBOARD TO BE MOUNTED 30" AFF
2. WALL MOUNTED PROJECTOR SCREEN TO BE MOUNTED 11'6" AFF



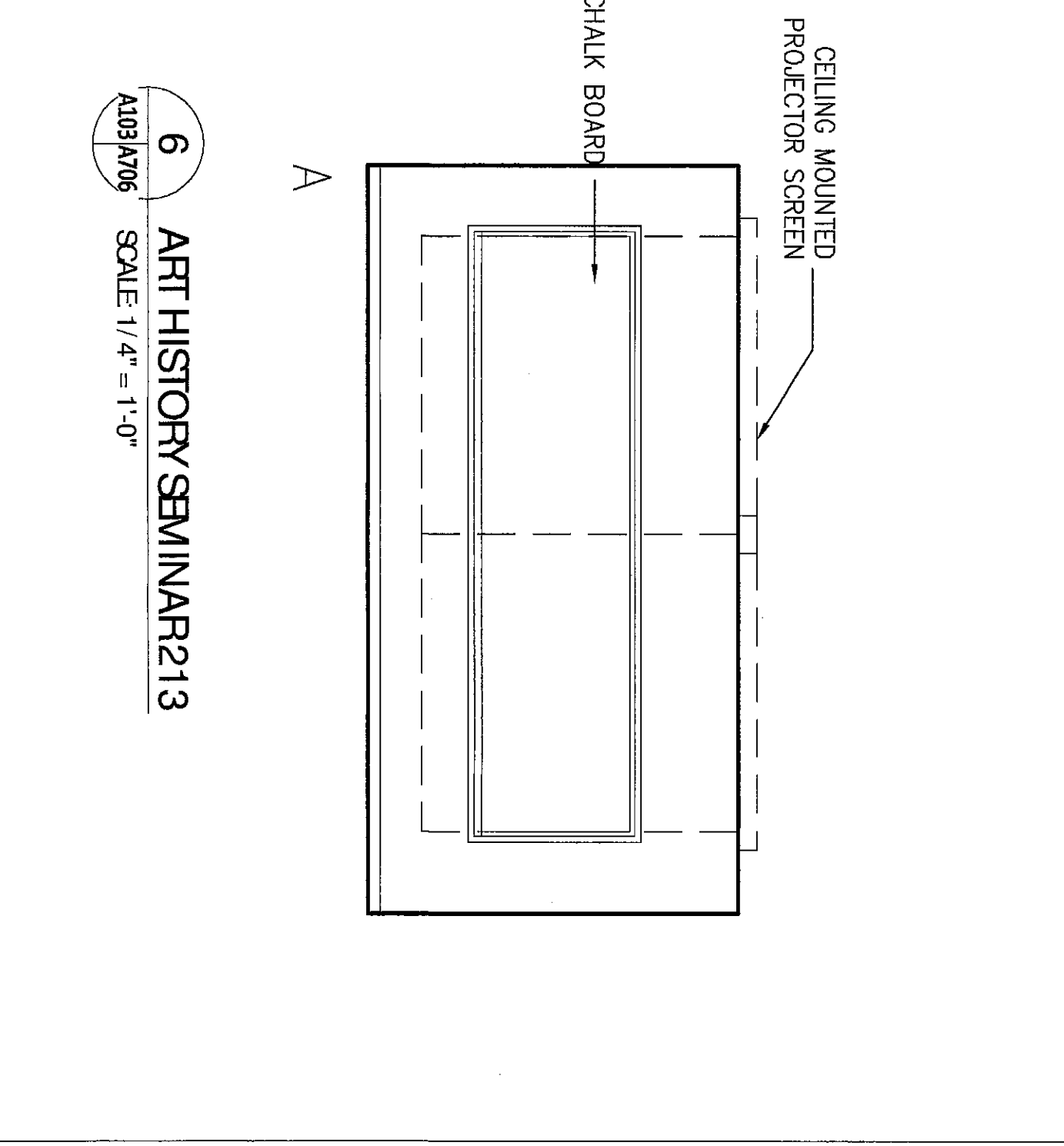
9 FENDINGG/ SERVER 214
 SCALE 1/4" = 1'-0"



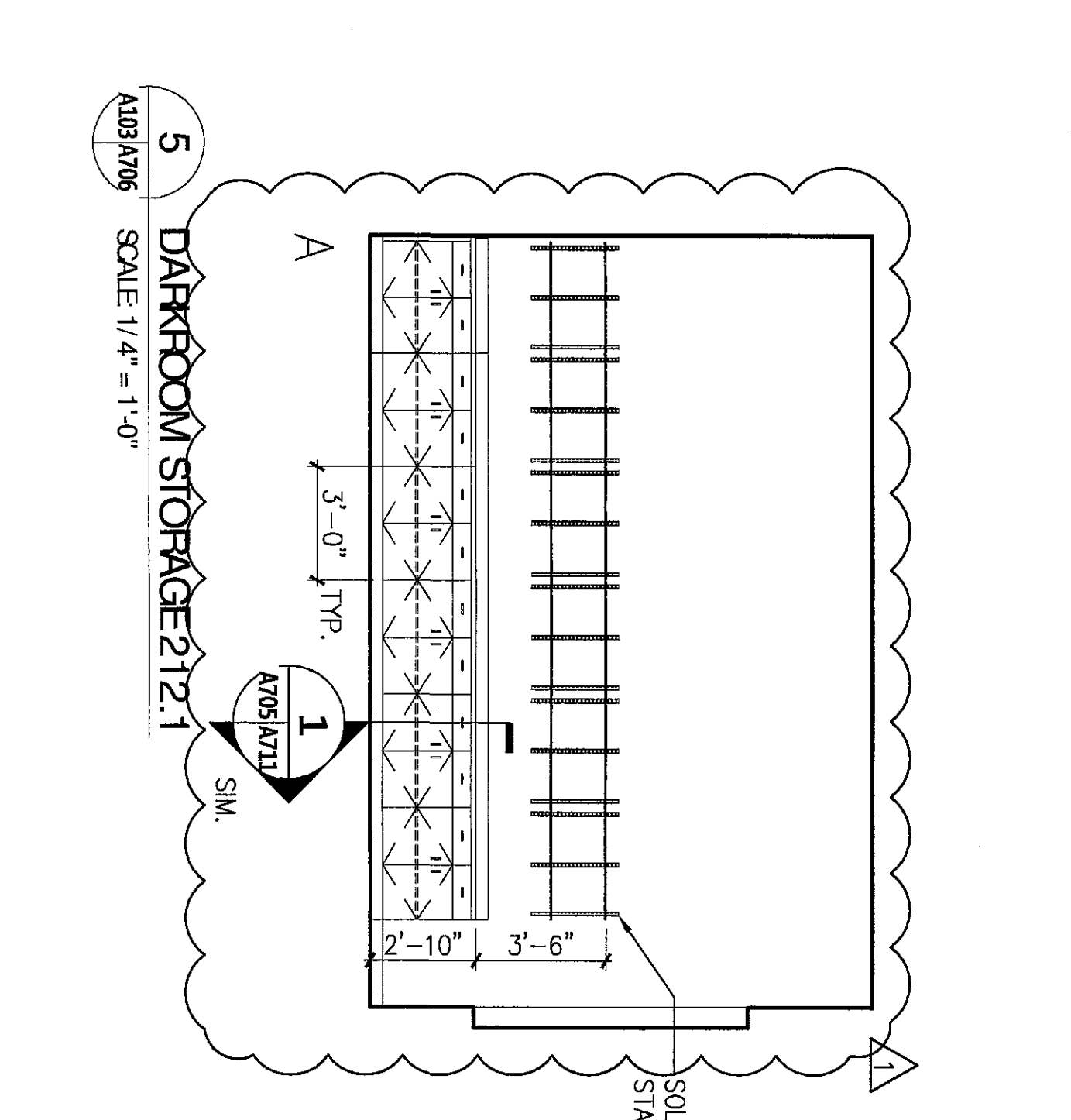
8 COMPUTERLAB 216/217
 SCALE 1/4" = 1'-0"



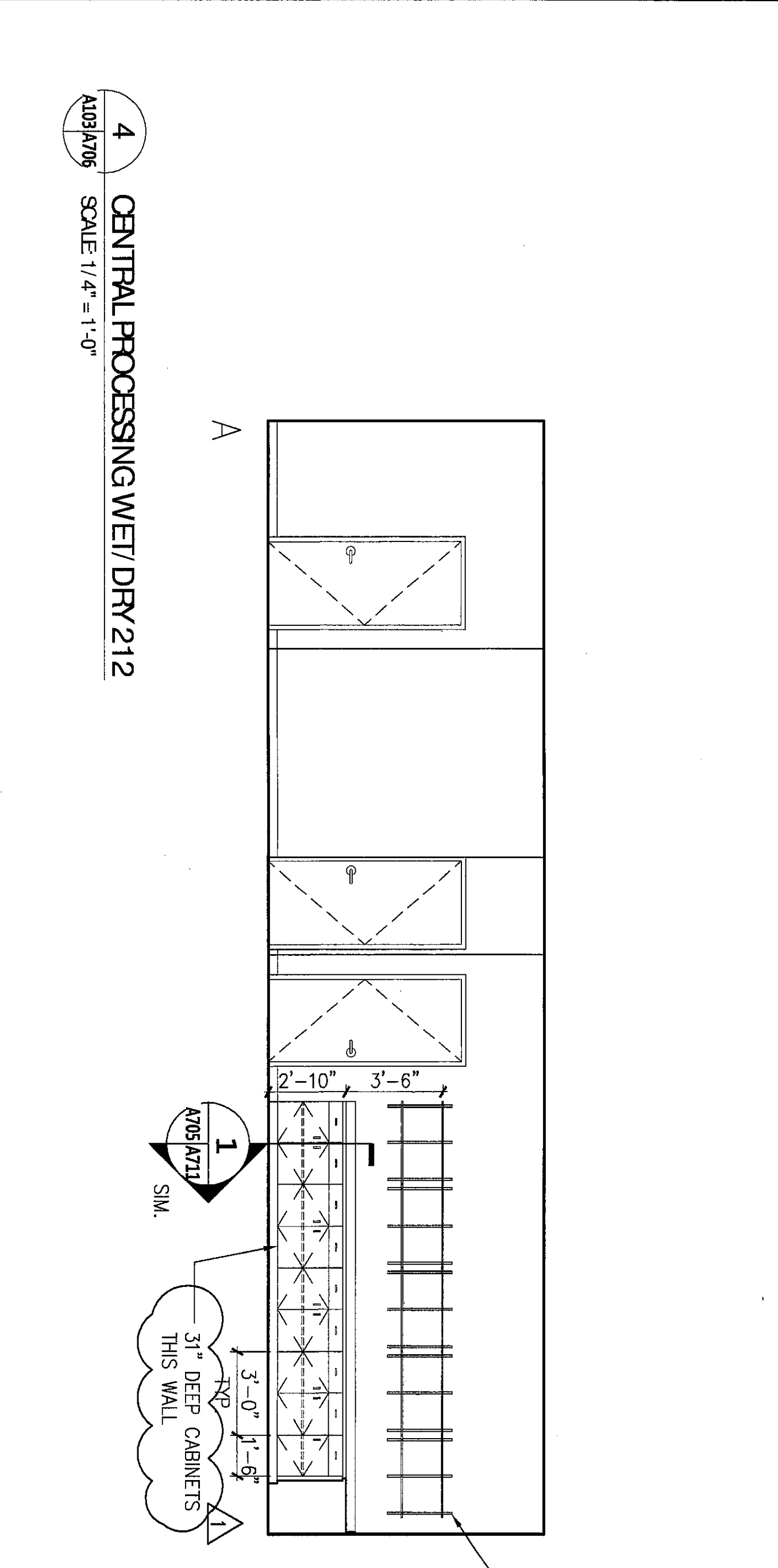
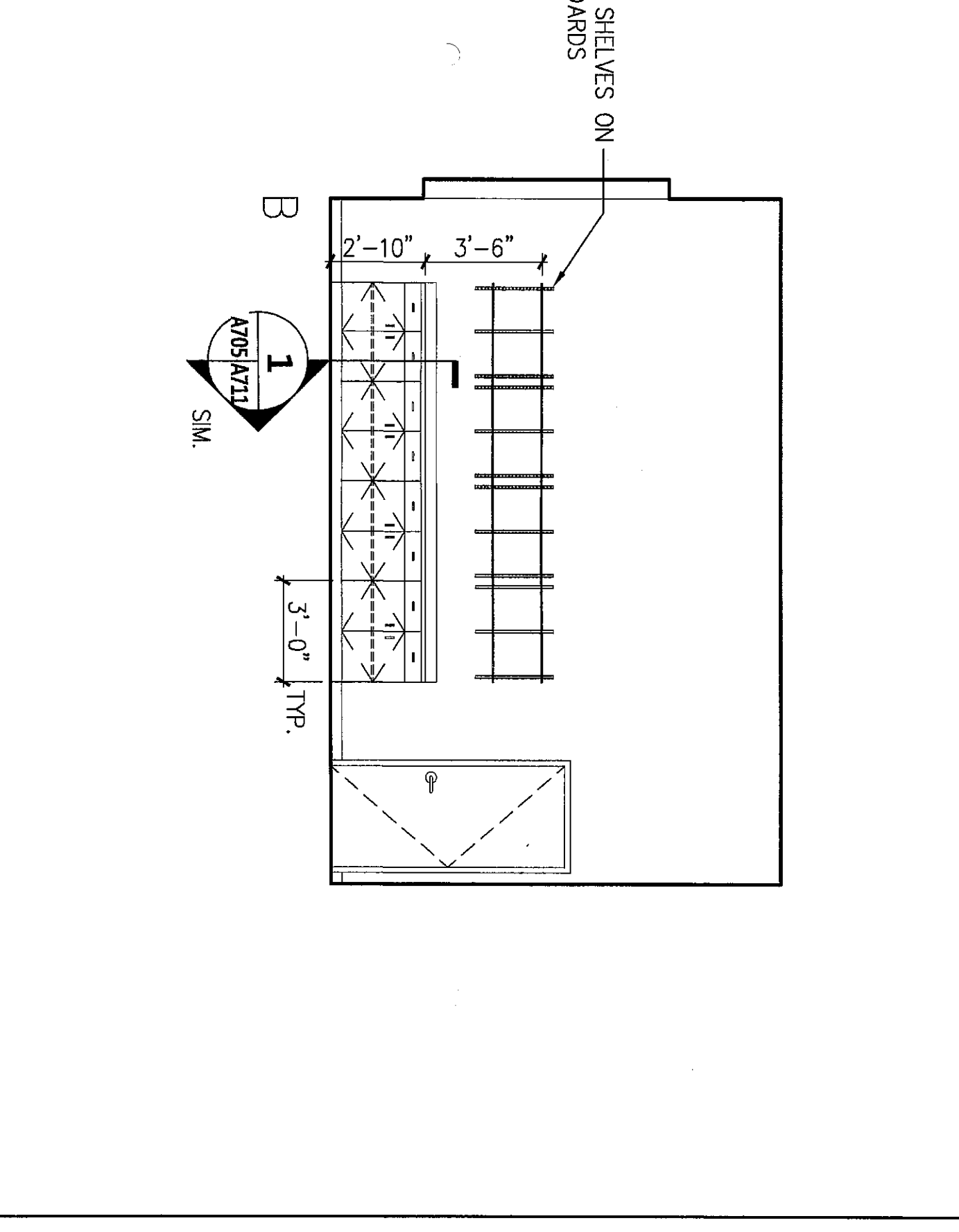
7 COMPUTERLAB 215/218
 SCALE 1/4" = 1'-0"



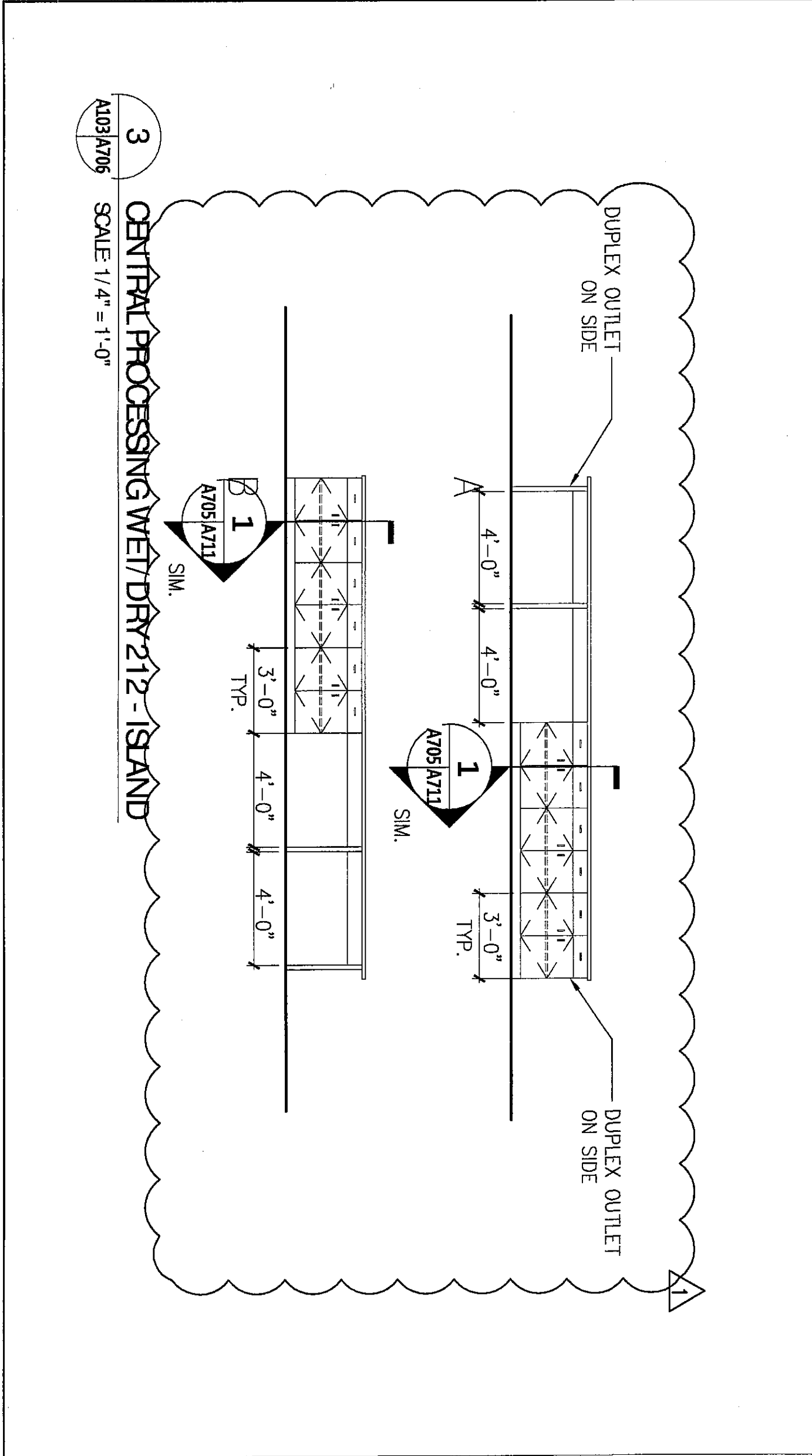
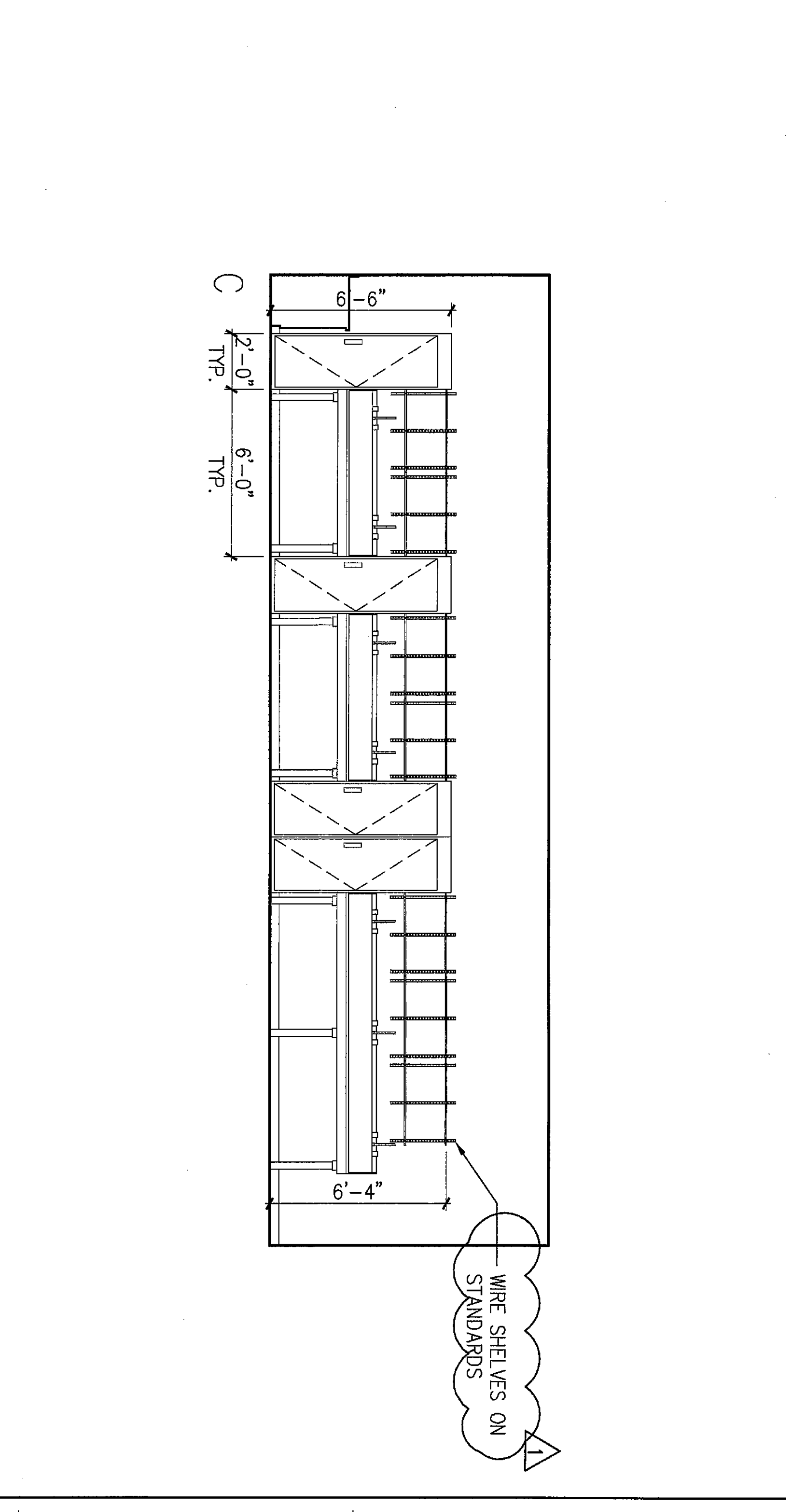
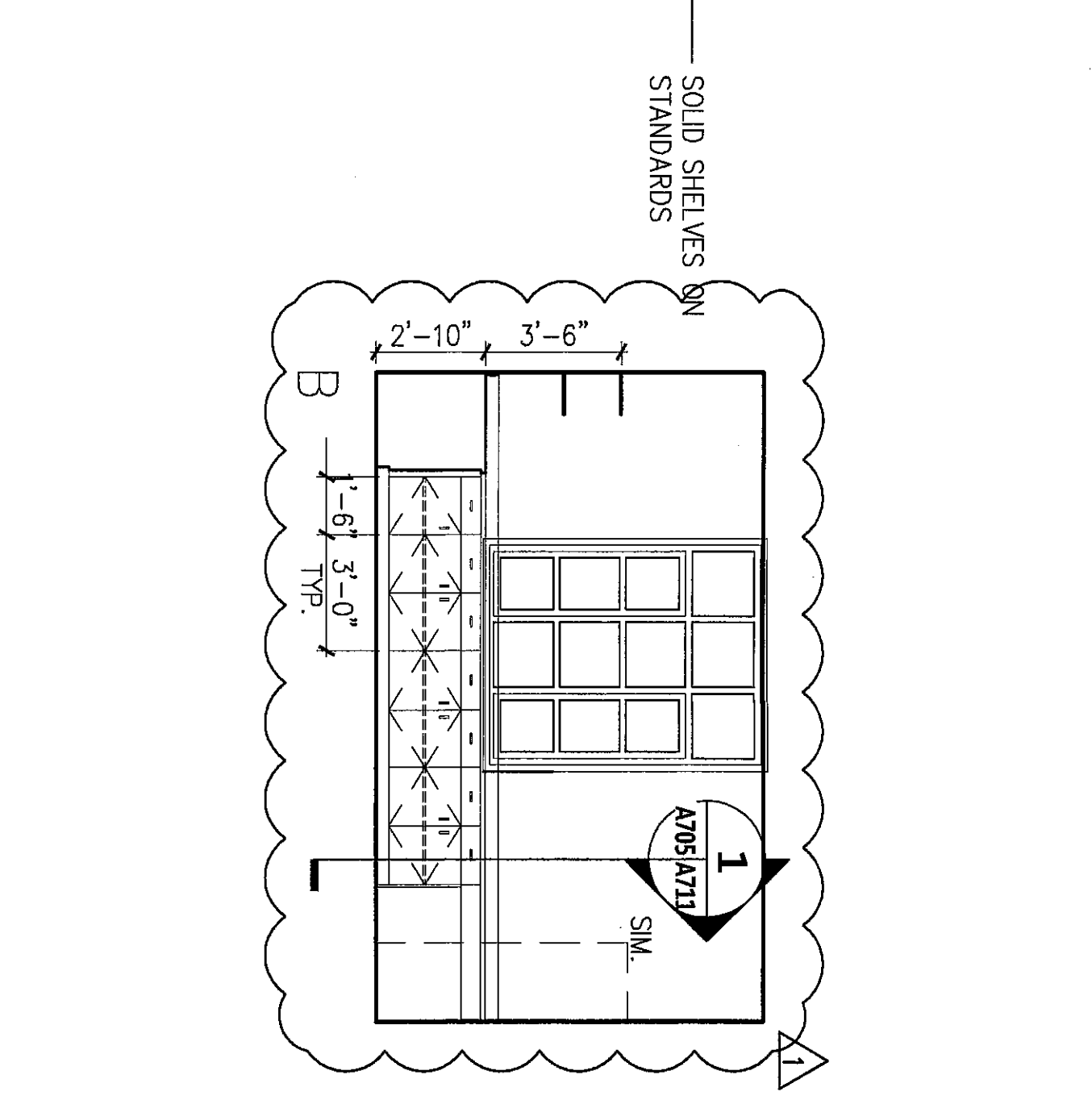
6 ART HISTORY SEMINAR 213
 SCALE 1/4" = 1'-0"



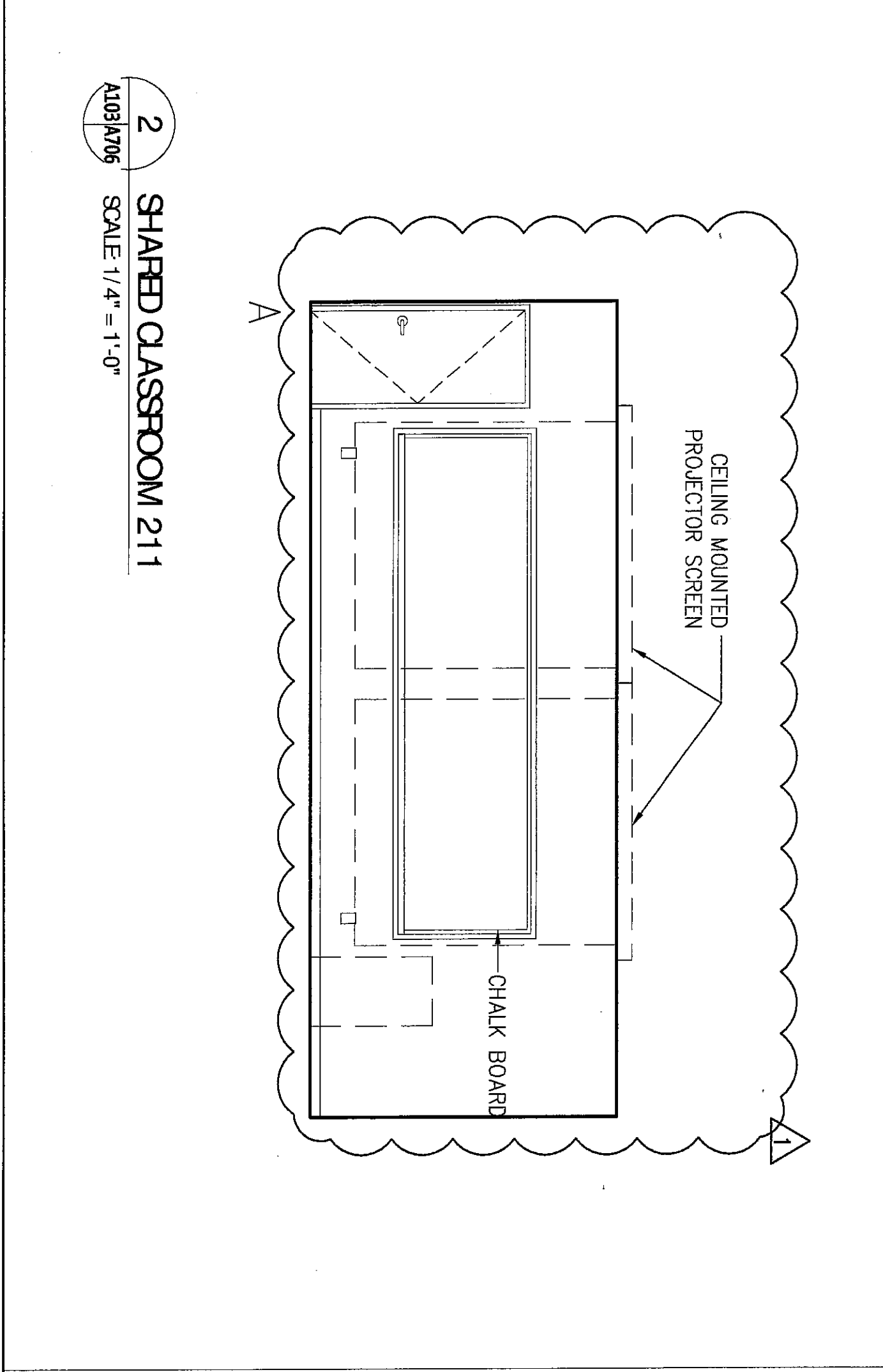
5 DARKROOM STORAGE 212.1
 SCALE 1/4" = 1'-0"



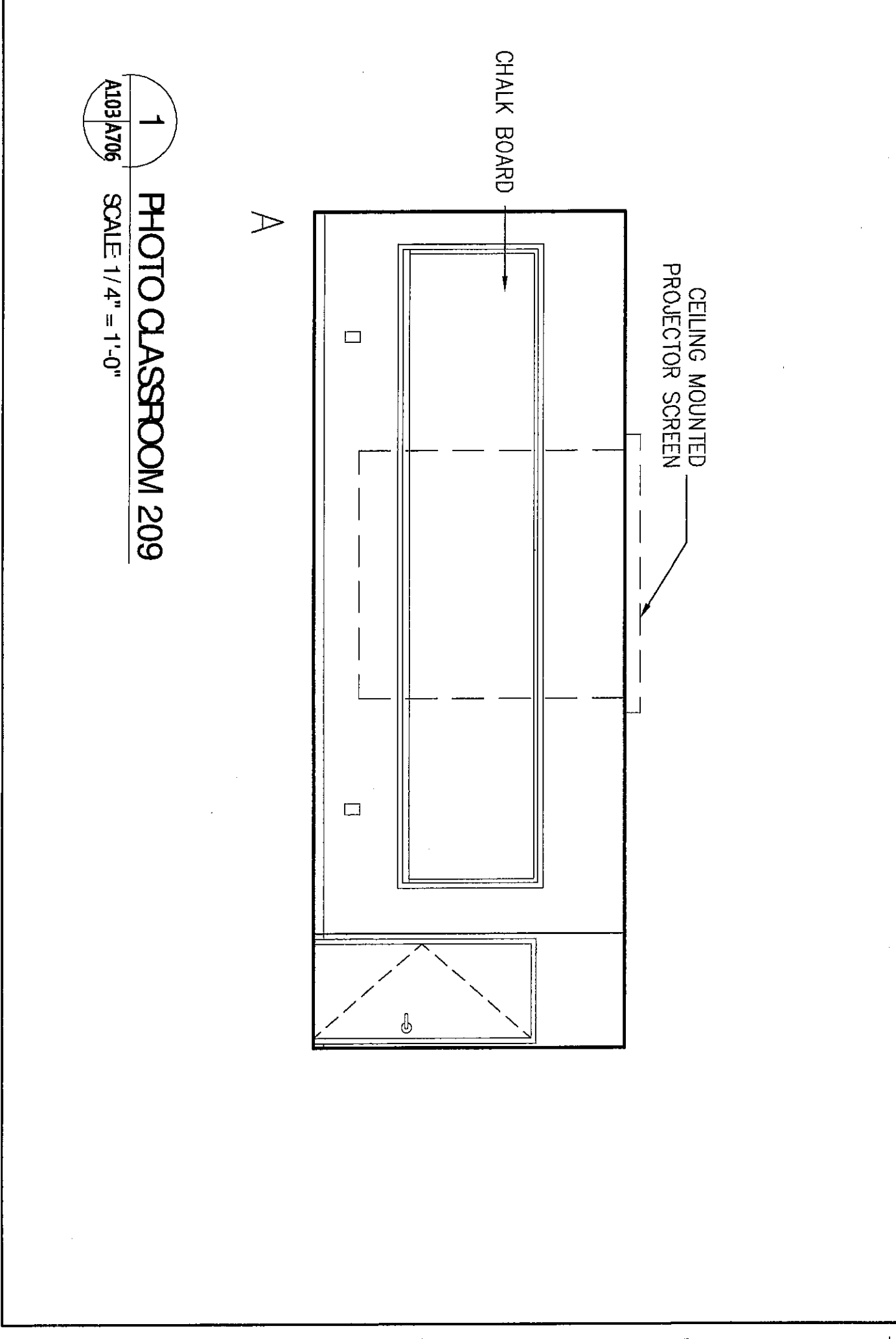
4 CENTRAL PROCESSING WET/ DRY 212
 SCALE 1/4" = 1'-0"



3 CENTRAL PROCESSING WET/ DRY 212 - ISLAND
 SCALE 1/4" = 1'-0"



2 SHARED CLASSROOM 211
 SCALE 1/4" = 1'-0"



1 PHOTO CLASSROOM 209
 SCALE 1/4" = 1'-0"

KEY PLAN:

APPENDIX #3
 NO. REVISION/SUBMISSION DATE
 4.12.08

THE COLLEGE OF NEW JERSEY

New Art & IMM Building
 Ewing, New Jersey

DATE: 2.20.08
 SCALE: AS NOTED
 EYP PROJECT NO. 100604.01
 DESIGNED BY: RC
 DRAWN BY: EC
 CHECKED BY: BL
 INTERIOR ELEVATIONS
 SECOND FLOOR
 Matthew S. Chalfoux
 LICENSE NO. 100604.01