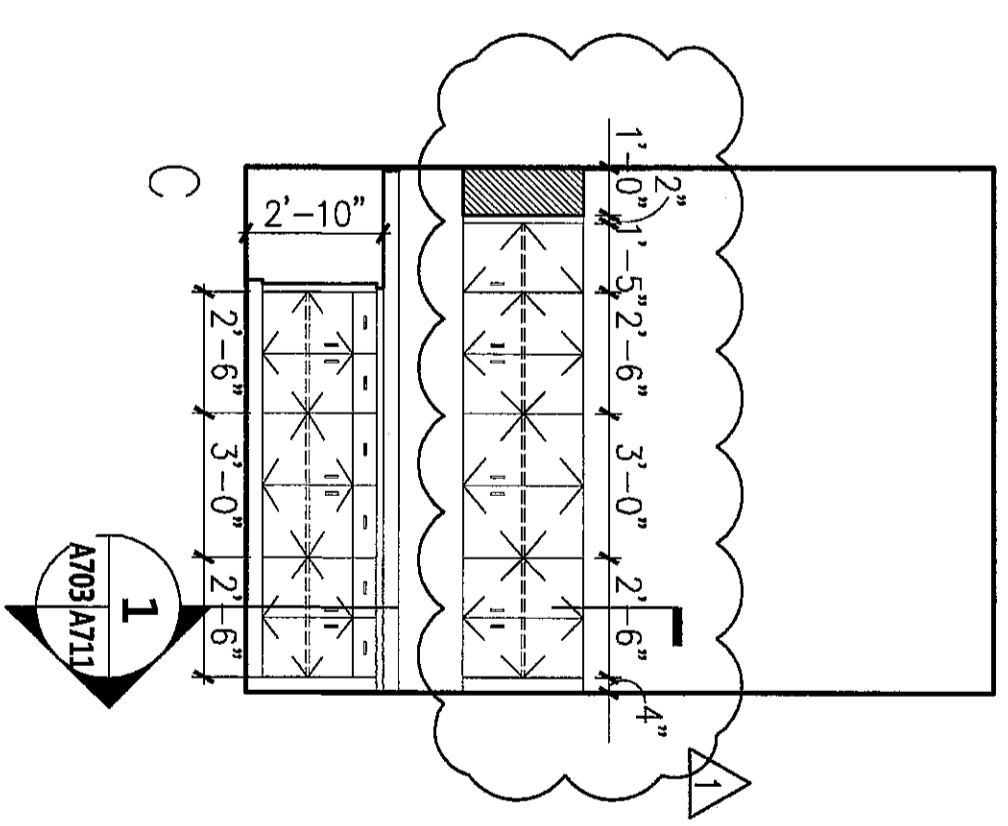
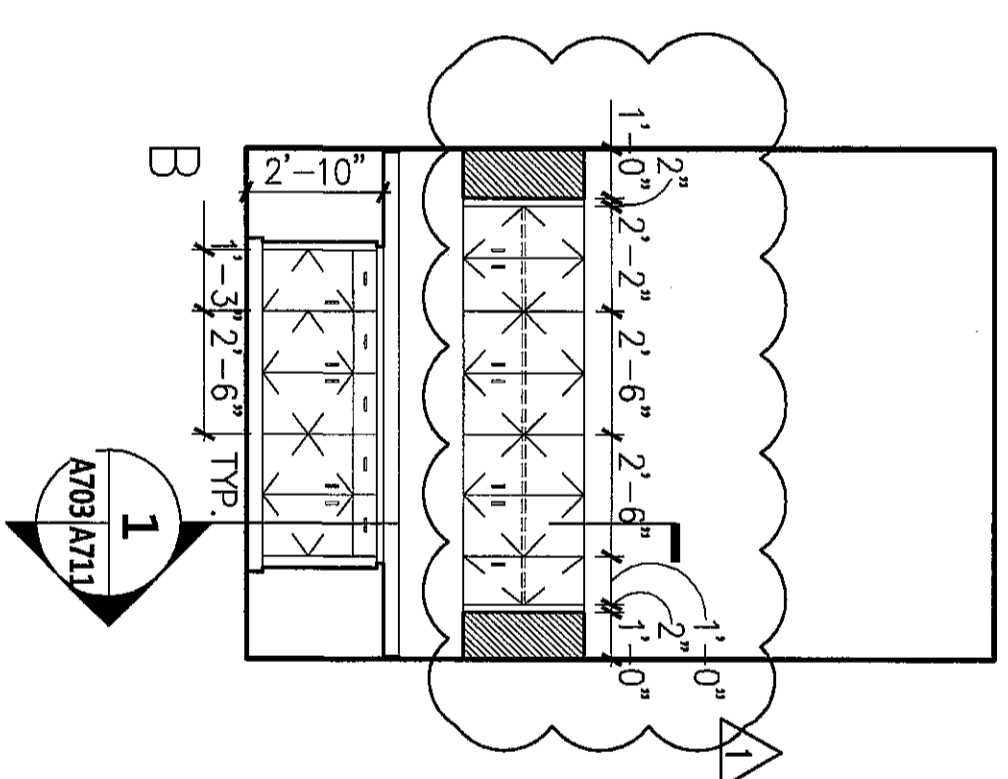
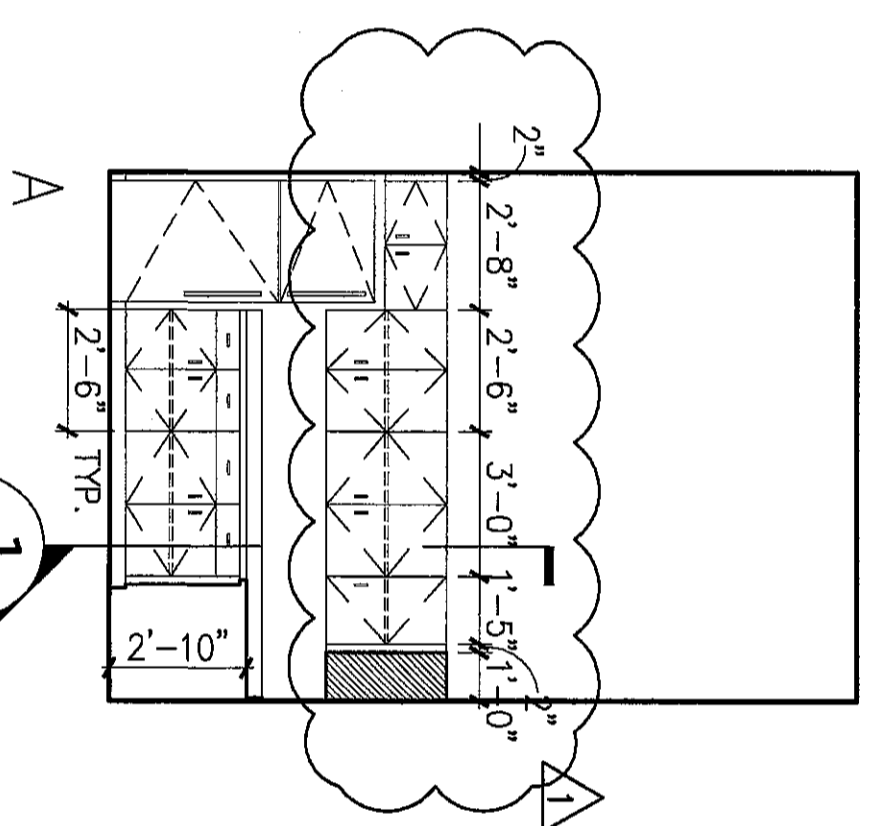
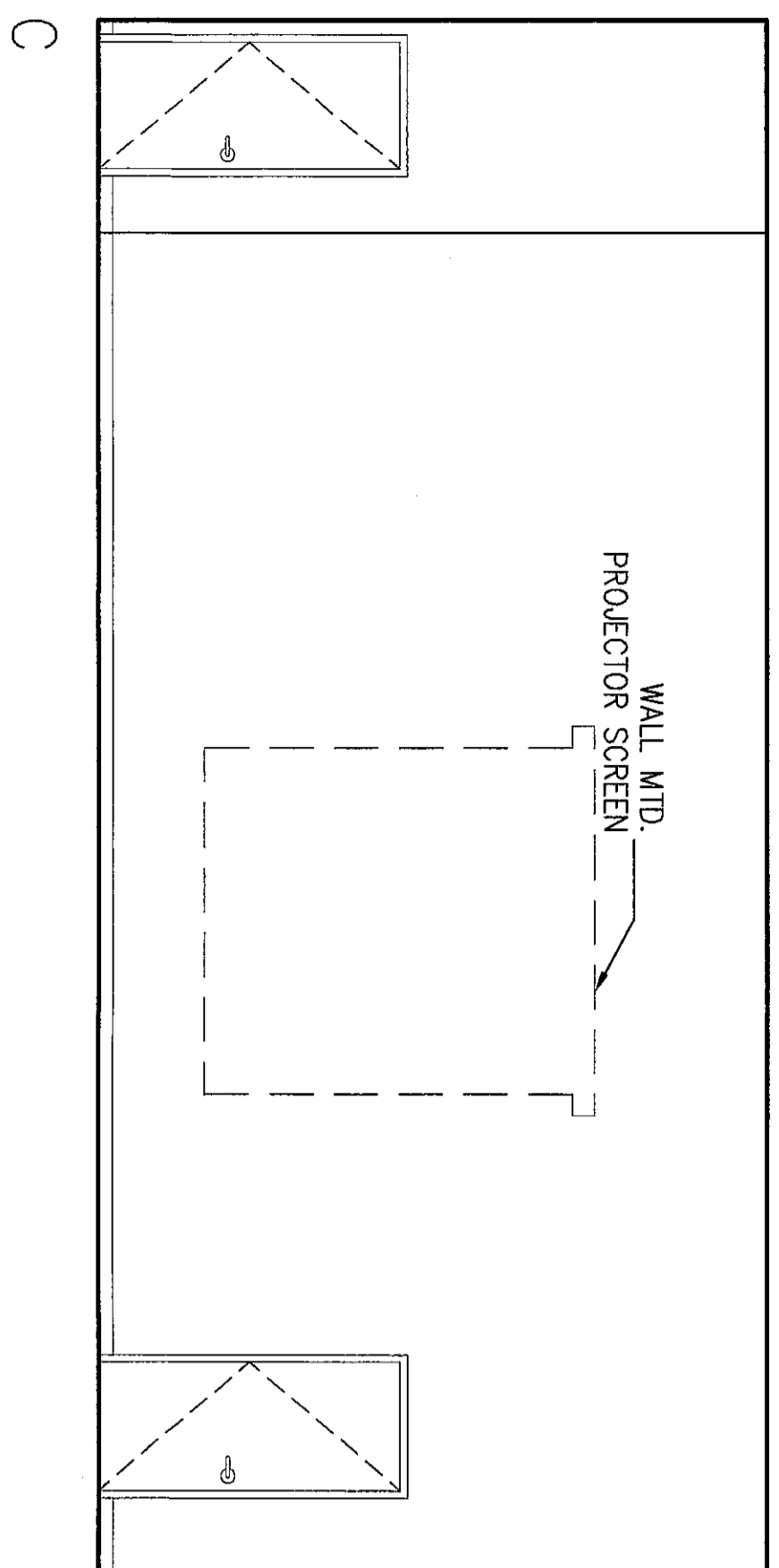
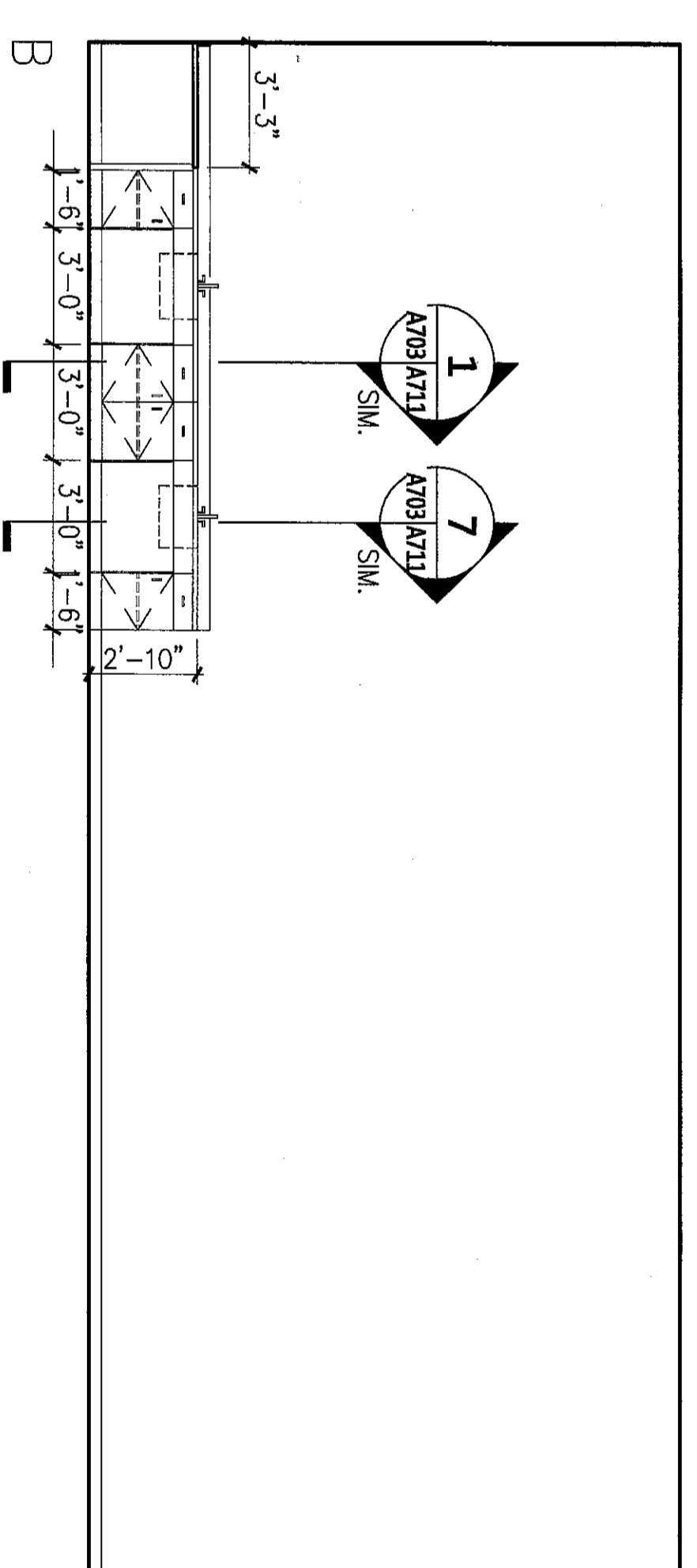
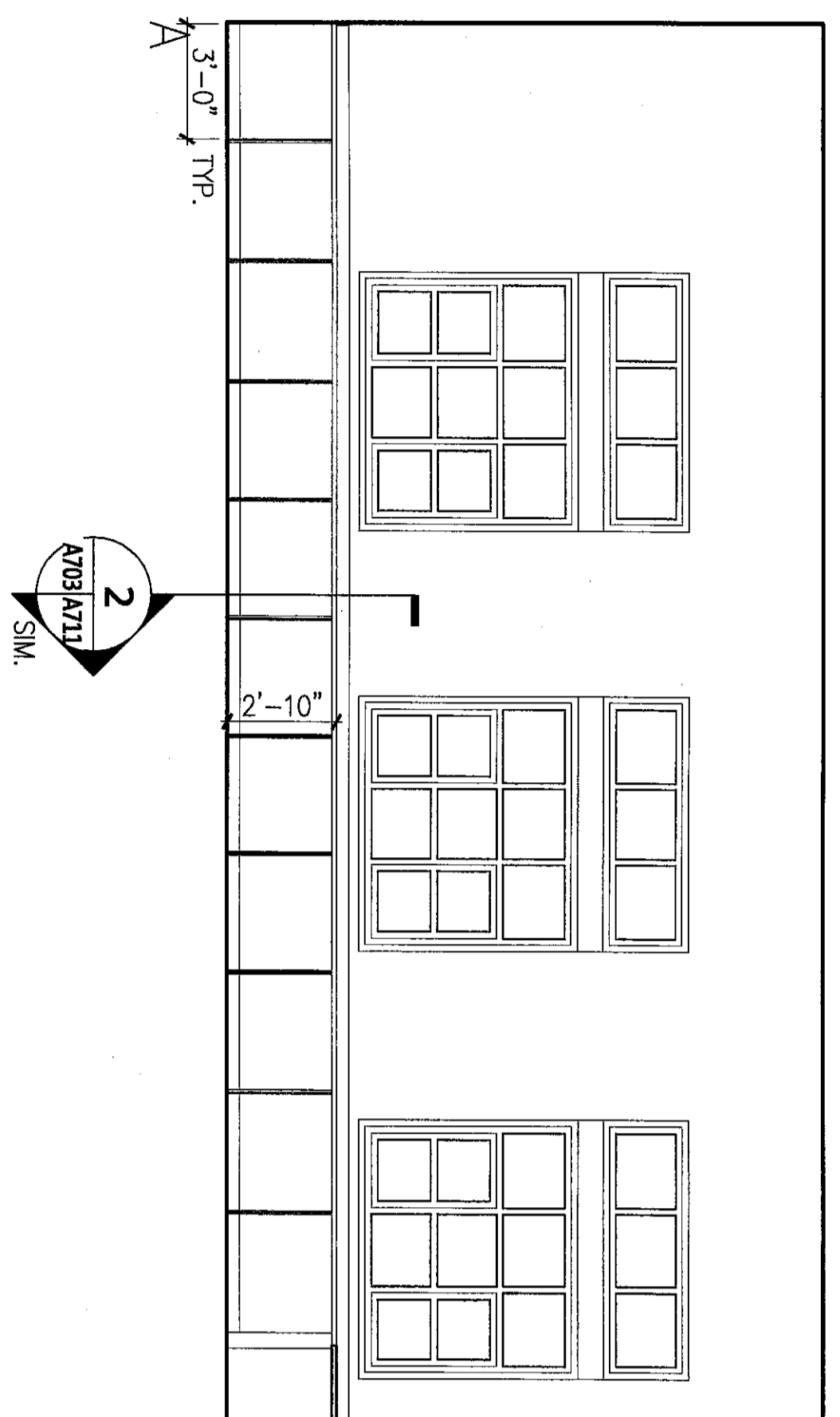


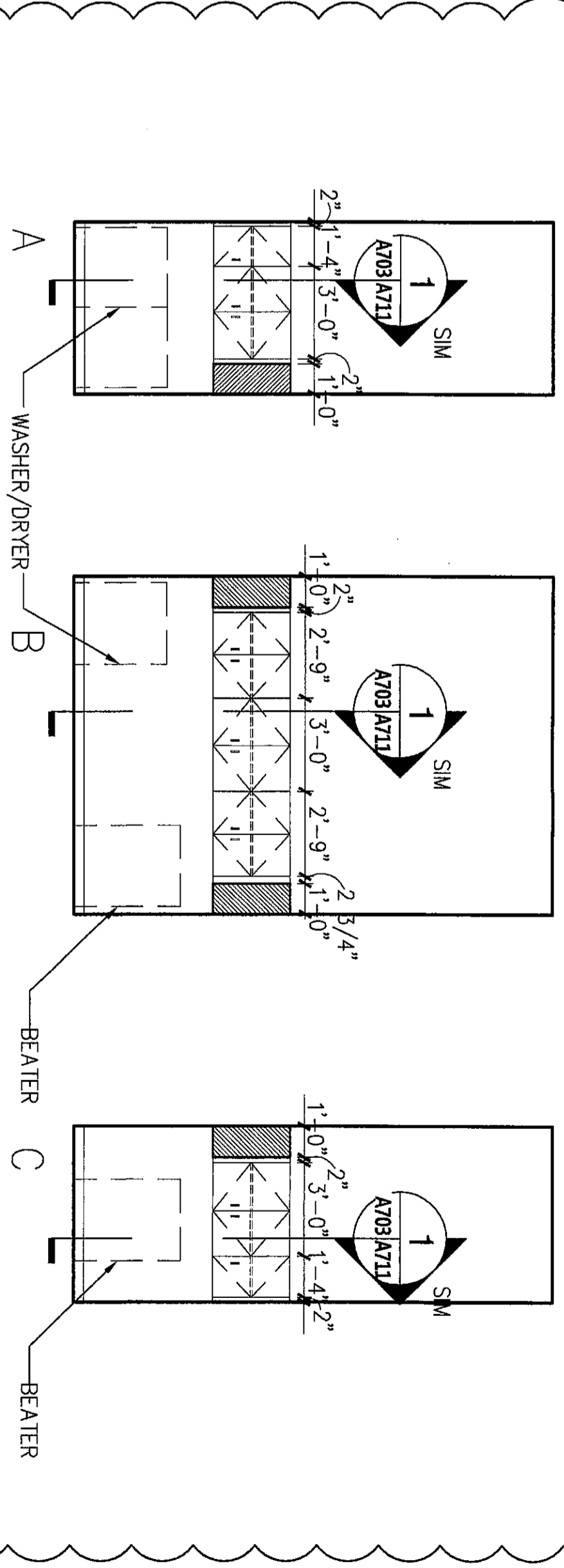
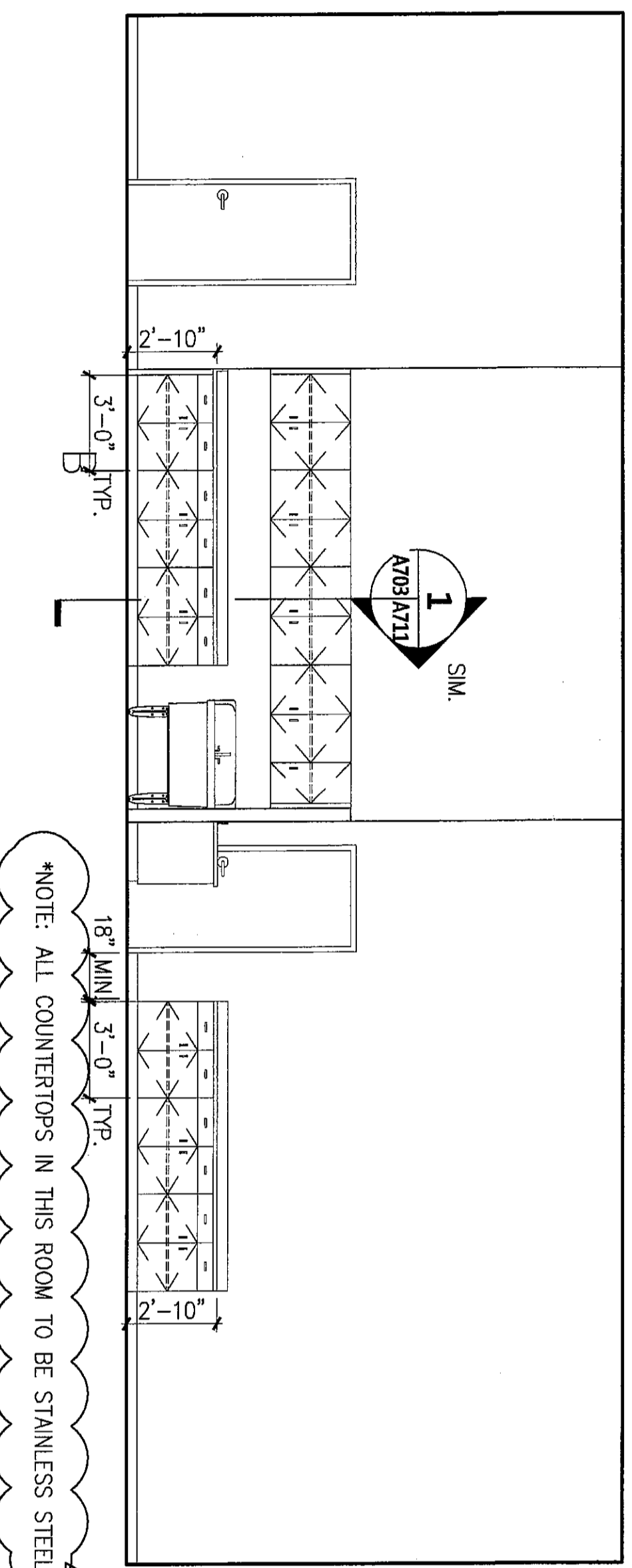
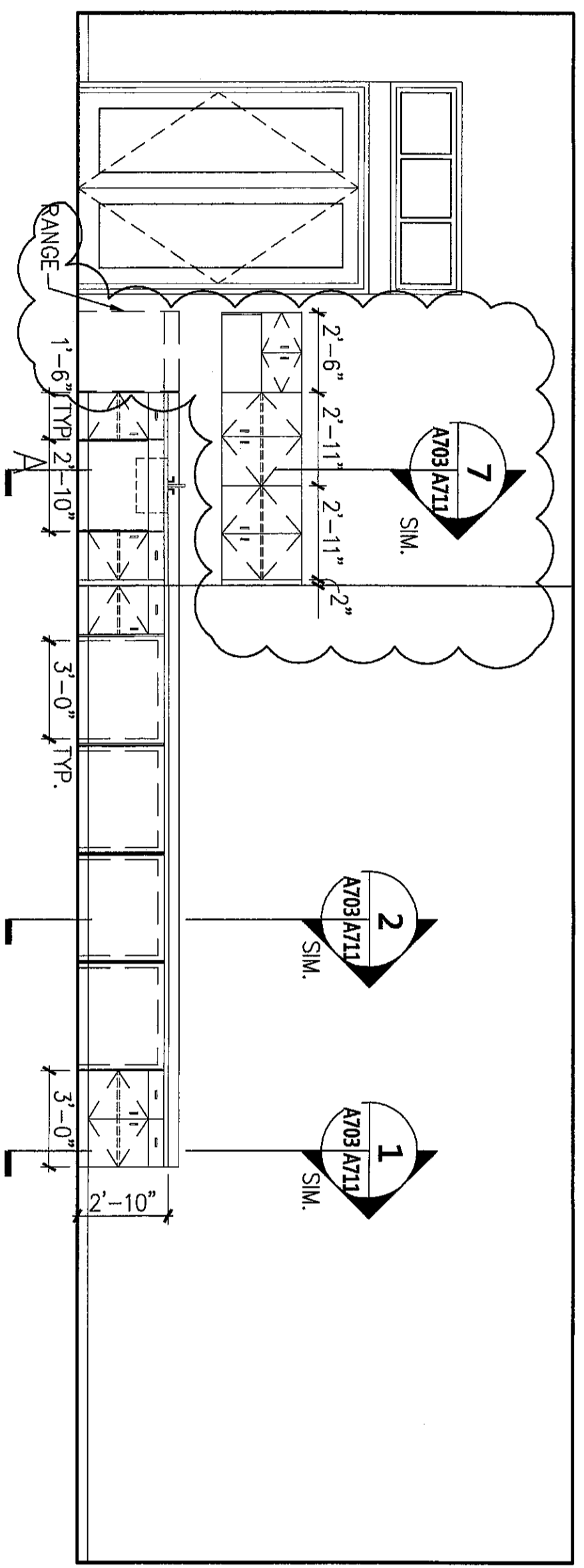
eyprac.com

- GENERAL NOTES**
1. ALL CHALKBOARDS, WHITEBOARDS AND TAGBOARD TO BE MOUNTED 30" AFF
 2. WALL MOUNTED PROJECTOR SCREEN TO BE MOUNTED 116" AFF

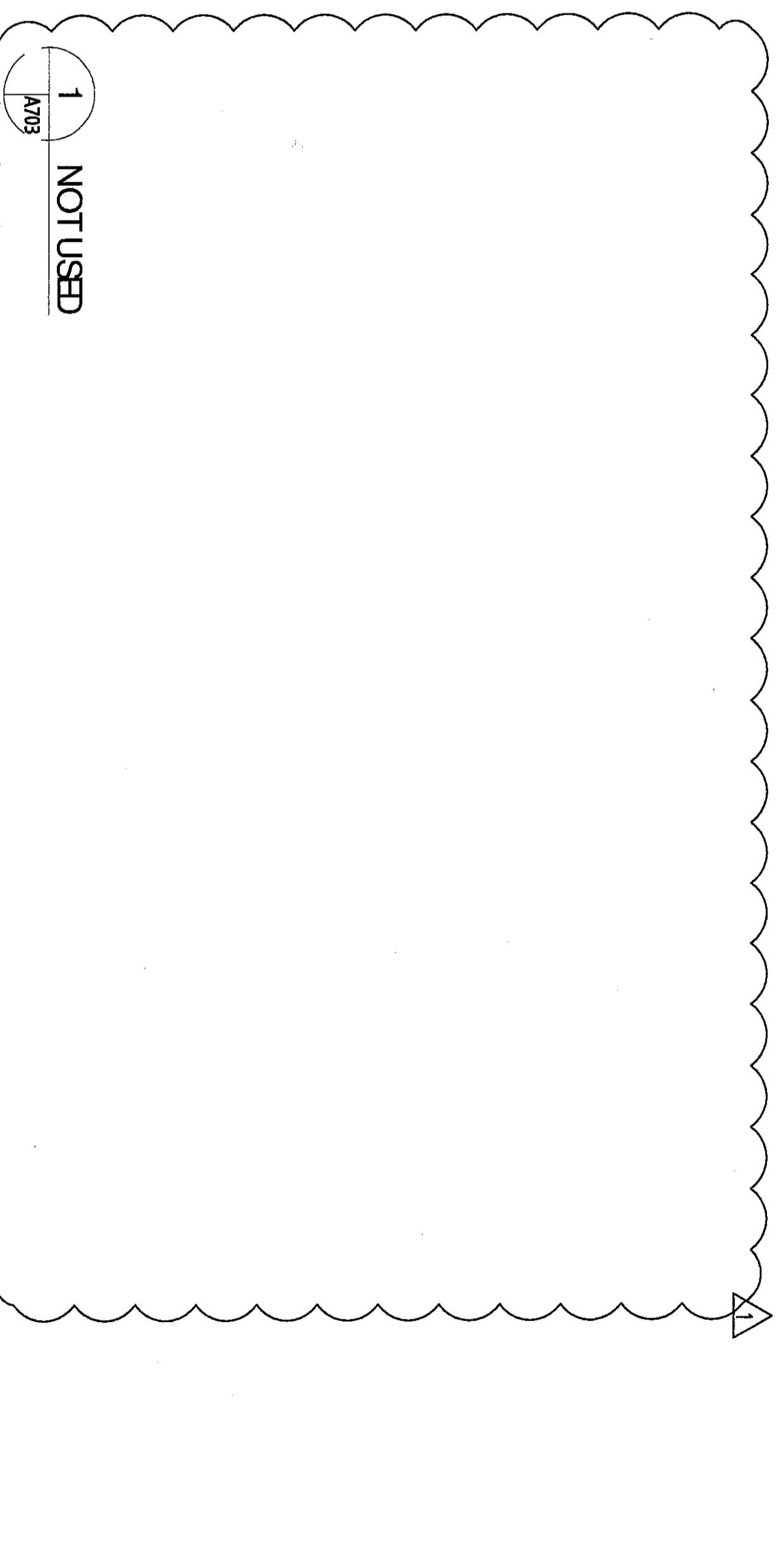


5 DESIGN 120
SCALE 1/4" = 1'-0"

4 PAPERMAKING STORAGE 119.2
SCALE 1/4" = 1'-0"



3 BEATER ROOM 119.1.1
SCALE 1/4" = 1'-0"



ADDRESS: 43
NO. REVISION/SUBMISSION
DATE: 4.1.2008

KEY PLAN:
TRUE NORTH
JOB NORTH

THE COLLEGE OF NEW JERSEY
New Art & IMM Building
Ewing, New Jersey

DATE: 2.20.2008
SCALE: AS NOTED
EYP PROJECT NO. 1006041.01
DESIGNED BY: RG
DRAWN BY: EC
CHECKED BY: BL

INTERIOR ELEVATIONS
FIRST FLOOR

Matthew S. Chalfoux
LICENSE NO. 10089